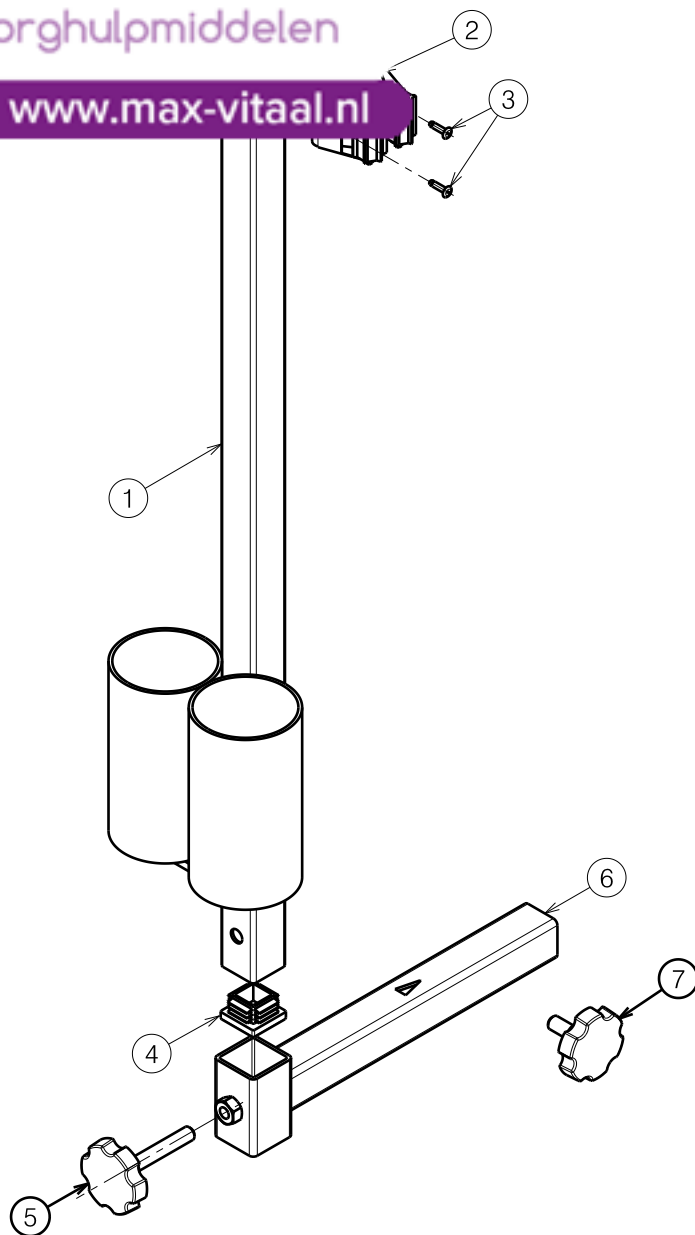




www.max-vitaal.nl



Material			
No.	Plan	Article	Quantity
1	Y017126	1740054	1
2	Ø22	1908818	2
3	Ø3x10	1908849	4
4	25x25	1001617	2
5	VGF40 M8x45	2990016	1
6	Y023056	2051554	1
7	VGF40 M8x16	2990024	1

E000649 / L

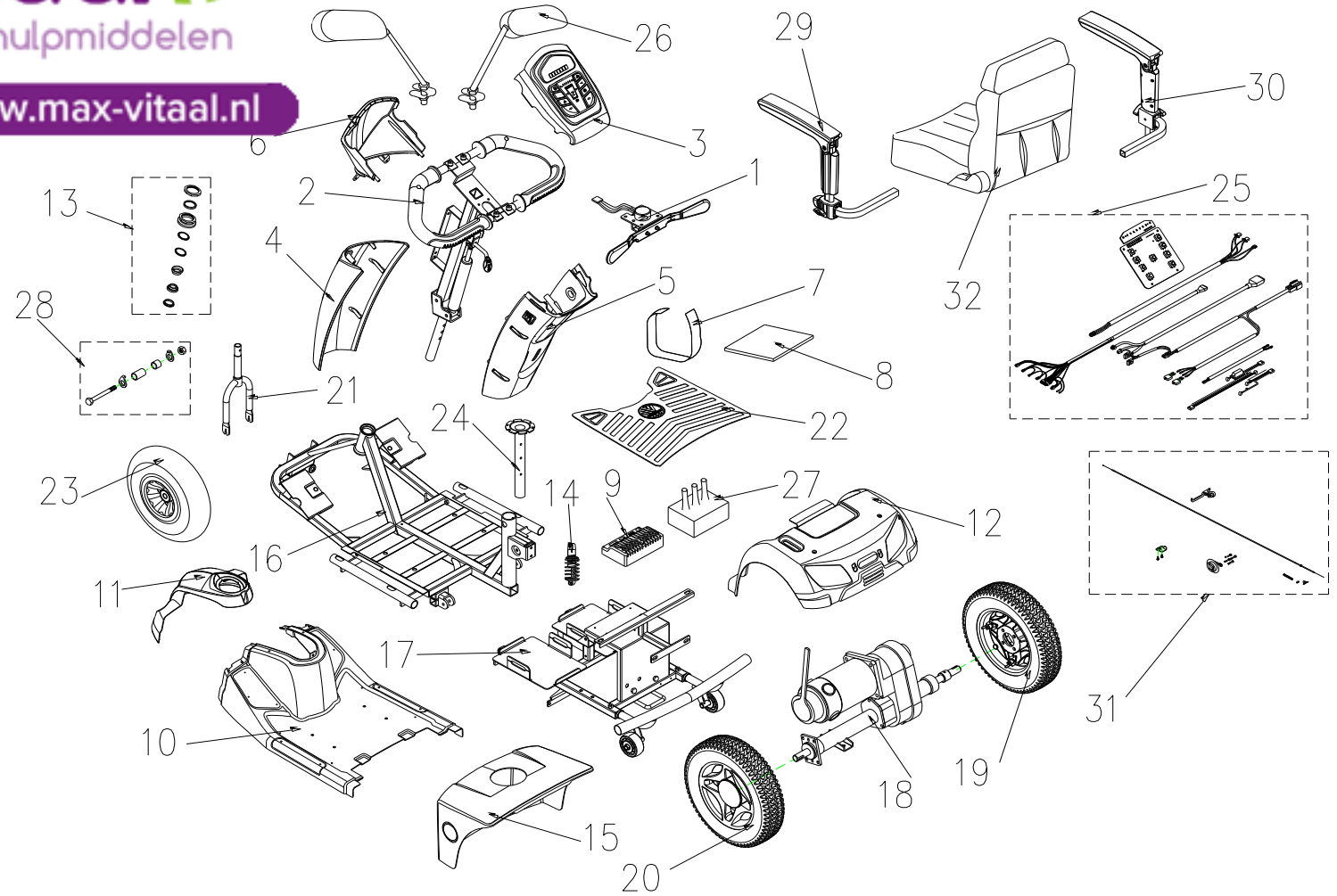
2991004

B31 CRUTCH HOLDER				Plan Number
				E000649/L
Scale: 1:4	Drafted	Verified	Confirmed	
Date	13/09/2010	20/09/2018	20/09/2018	
Initials	TT	TT	PJ	



zorghulpmiddelen

www.max-vitaal.nl





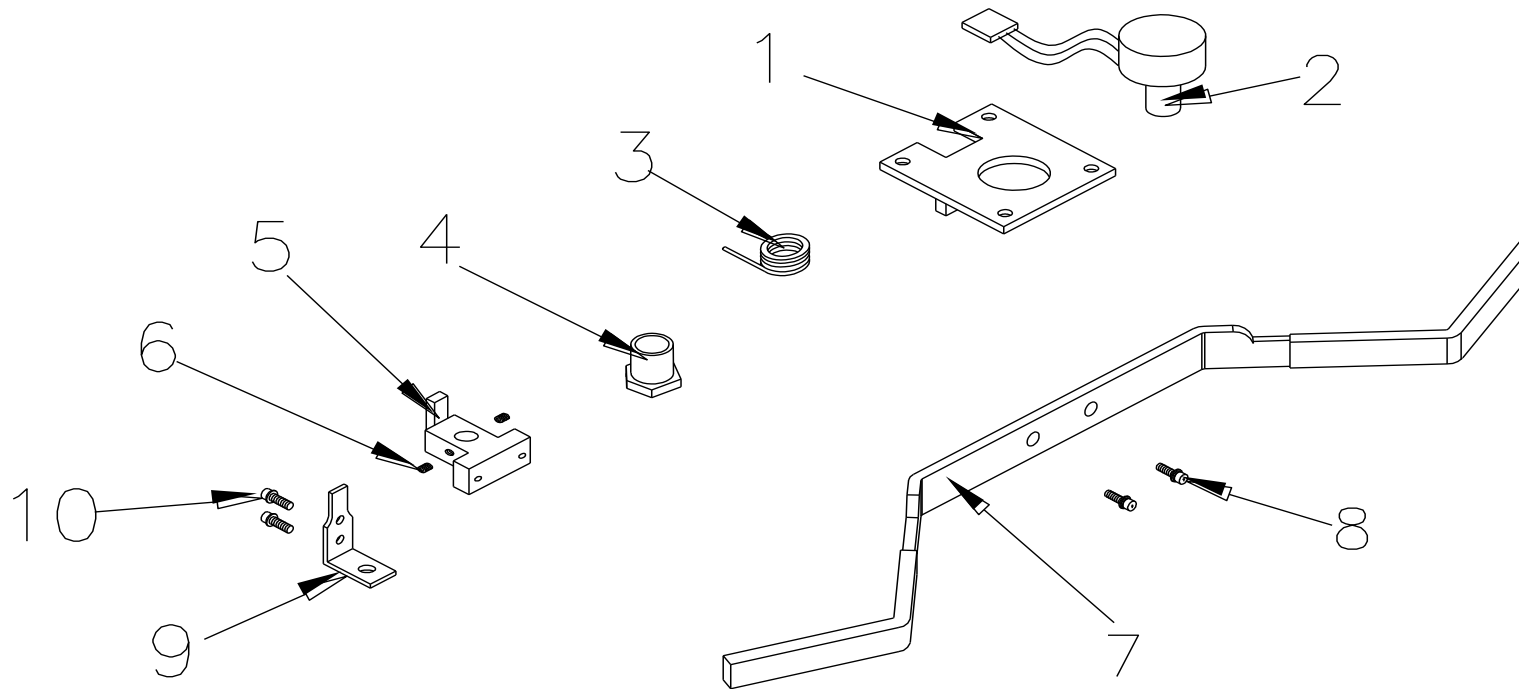
Fig&Index NO.	Name	QTY.	Remark
1	SPEED DIAL ASS'Y	1SET	
2	TILLER ASS'Y	1SET	
3	COSOLE ASS'Y, LED	1SET	
3	COSOLE ASS'Y, LCD		
4	TILLER FRONT COVER, SILVER 71	1	
4	TILLER FRONT COVER, WHITE 91	1	
4	TILLER FRONT COVER , BROWN 82	1	
5	TILLER REAR COVER , SILVER 71	1SET	
5	TILLER REAR COVER , WHITE 91	1SET	
5	TILLER REAR COVER , BROWN 82	1SET	
6	TILLER HEAD COVER , SILVER 71	1SET	
6	TILLER HEAD COVER, WHITE 91	1SET	
6	TILLER HEAD COVER, BROWN 82	1SET	
7	VELCRO STRIP , BATTERY	1	
8	RUBBER PAD , BATTERY	1	
9	CONTROLLER , DYNAMIC 160A , FOR RHINO 2	1	AFTER P118276 USE
10	FOOT SHROUD ASS'Y , SILVER 71	1SET	
10	FOOT SHROUD ASS'Y , WHITE 91	1SET	
10	FOOT SHROUD ASS'Y , BROWN 82	1SET	
10	FOOT SHROUD ASS'Y , SILVER 71, 75AH	1SET	
10	FOOT SHROUD ASS'Y , WHITE 91, 75AH	1SET	
10	FOOT SHROUD ASS'Y , BROWN 82, 75AH	1SET	
11	FRONT SHROUD ASS'Y , SILVER 71 (CHAMPAGNE)	1SET	
11	FRONT SHROUD ASS'Y , WHITE 91	1SET	
11	FRONT SHROUD ASS'Y , BROWN 82	1SET	
12	REAR SHROUD ASS'Y , SILVER 71, W/O LABEL	1SET	
12	REAR SHROUD ASS'Y , WHITE 91, W/O LABEL	1SET	
12	REAR SHROUD ASS'Y , BROWN 82, W/O LABEL	1SET	
13	REGULAR BEARING BALL SET	1SET	
14	ABSORBER , 750LBS	1	
15	BATTERY SHROUD ASS'Y, BLACK 61 , W/O LABEL, 50AH	1SET	


www.max-vitaal.nl

15	BATTERY SHROUD ASS'Y, BLACK 61 , W/O LABEL, 75AH	1SET	
16	FRAME,FRONT SECTION ASS'Y	1SET	
17	FRAME , REAR SECTION ASS'Y	1SET	
18	REAR DRIVE ASS'Y (WITH BOLT / NUT) , 750W5500RPM20 : 1 , RHINO 2 CONTROLLER USE	1SET	AFTER P118276 USE
18	REAR DRIVE ASS'Y (WITH BOLT / NUT) , 750W5500RPM22 : 1, RHINO 2 CONTROLLER USE	1SET	
19	REAR TIRE ASS'Y , BLACK , R	1SET	
20	REAR TIRE ASS'Y,BLACK, L	1SET	
21	FRONT FORK ASS'Y	1SET	
21	FRONT FORK ASS'Y, SUSPENSION VERSION	1SET	
22	RUBBER CARPET, for 50AH	1	
22	RUBBER CARPET, for 75AH	1	
23	FRONT TIRE ASS'Y 400-4 C154-1 BLACK	1SET	
24	SEAT POST	1	
25	WIRE HARNESS ASS'Y for RHINO 2 160A	1SET	AFTER P118276 USE
25	WIRE HARNESS ASS'Y for RHINO 2 160A /LCD SYSTEM	1SET	
25	WIRE HARNESS ASS'Y, FRONT TO REAR, for RHINO 2 160A	1SET	AFTER P143401 USE
25	WIRE HARNESS ASS'Y, FRONT TO REAR, for RHINO 2 160A /LCD SYSTEM	1SET	AFTER P146800 USE
26	MIRROR COMP.	1SET	
27	COVER CONTROLLER , RHINO 2	1	AFTER P118276 USE
28	HEX FLANGE BOLT , M10xP1.5x160L	1SET	
28	HEX FLANGE BOLT , M10xP1.5x210L		ML3SB- LCD USE
29	ARMREST , ADJUSTABLE , L , W/I COVER	1	
30	ARMREST , ADJUSTABLE , R , W/I COVER	1	
31	BRAKE ASS'Y	1SET	
32	SEAT ASS'Y , TA-386C3	1SET	
34	ACCESSORIES		
35	LABEL ACCESSORIES		



www.max-vitaal.nl



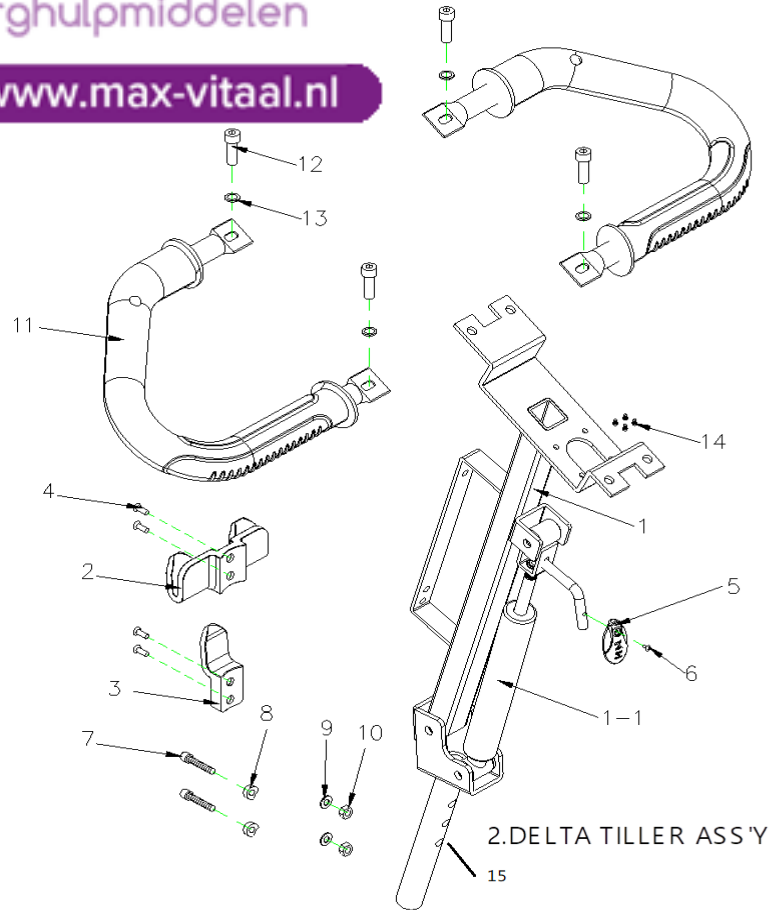
1. SPEED DIAL ASS'Y



Fig&Index NO.	Parts No.	Parts Name	QTY.	Remark
1	1904224	SPEED DIAL ASS'Y	1SET	
1-1	1910534	FIX PLATE , SPEED LEVER	1	
1-2	1905662	VR ONLY	1	
1-3	1901881	TORSION SPRING , SPEED LEVER	1	
1-4		NUT	1	
1-5		HOLDER , SPEED LEVER	1	
1-6		LOCKING SCREW , 4x4	2	
1-7	1906357	SPEED LEVER	1	
1-8		BOLT,M4x12	2	
1-9		HOLDER , SPEED LEVER COMP.	1	
1-10		BOLT,M3x4L	2	



www.max-vitaal.nl



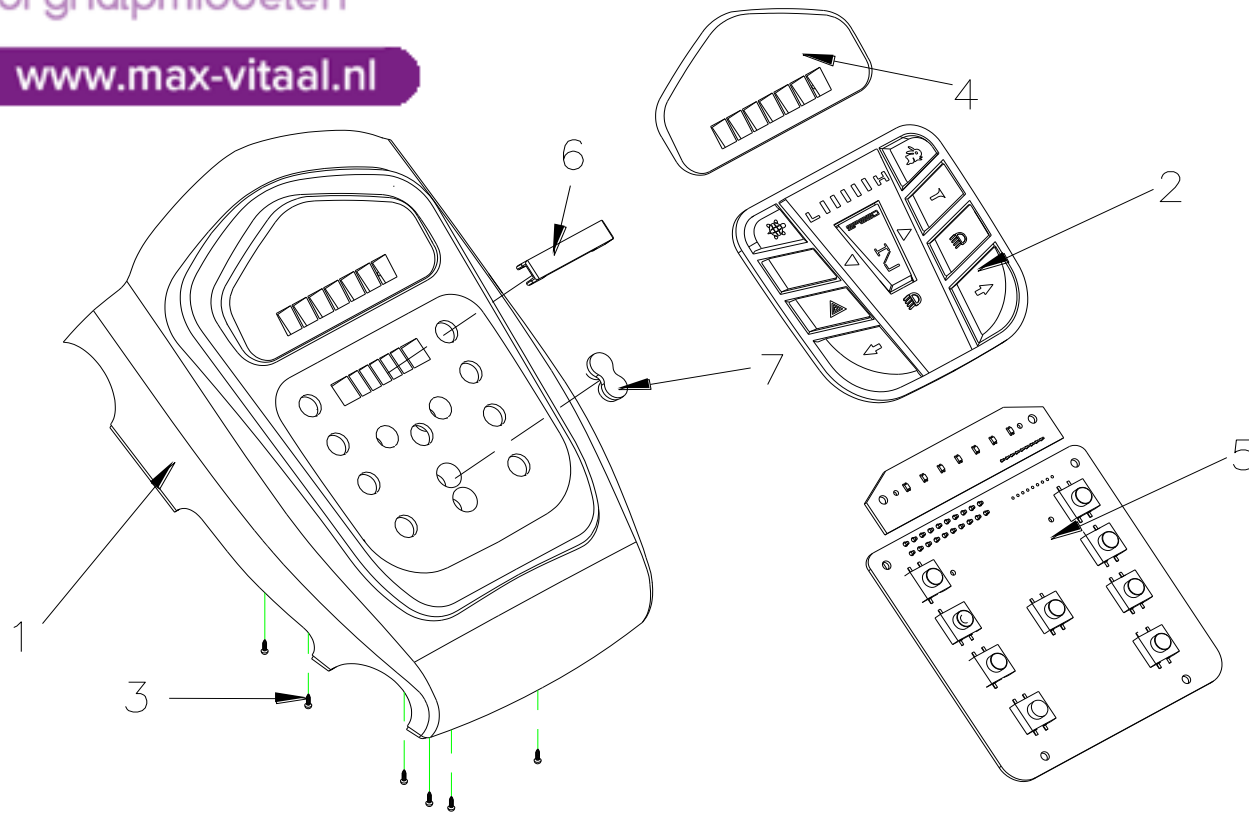


Fig&Index NO.	Parts No.	Parts Name	QTY.	Remark
2	1908548	TILLER ASS'Y	1SET	
2-1	1905268	TILLER	1	
2-1-1	1904289	OIL PRESSURE STICK , 45KG	1	
2-2	1904362	BASKET HOLDER,PAINTED,UPPER	1	
2-3	1909173	BASKET HOLDER,PAINTED,LOWER	1	
2-4	1904363	BOLT,M6x35L	4	
2-5	1904288	SHAFT	1	
2-6		CR ROUND HD SCREW , M4x8L	1	
2-7	2994915	HEX FLANGE BOLT,M8x40L	2	
2-8		WASHER	2	
2-9	1001556	WASHER,M8	2	
2-10	1007557	LUCK NUT,M8x1.25	1	
2-11	1904316	DELTA HAND GRIP	2	
2-12		BOLT M6x20L	4	
2-13		WASHER OD19xID7x1mm	4	
2-14		BOLT,M3x8L	4	
2-15	1904455	TILLER SHAFT	1	



zorghulpmiddelen

www.max-vitaal.nl



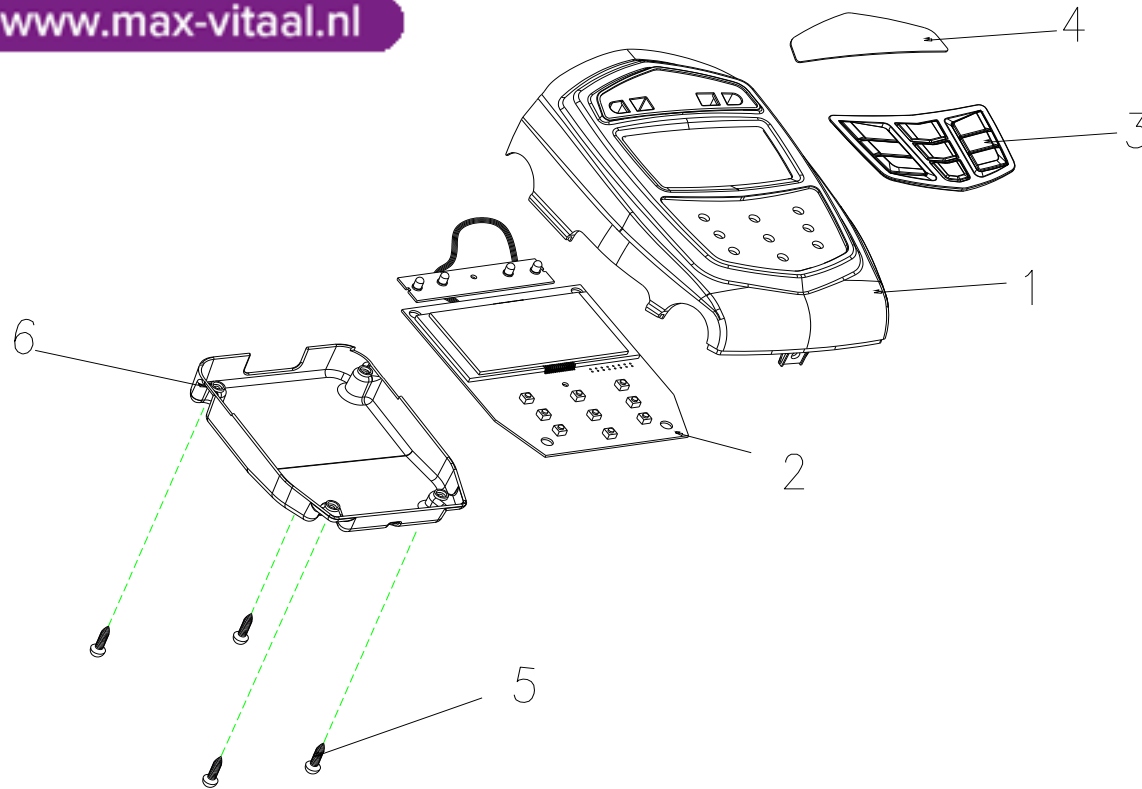
3. COVER , HANDLE BAR ASS'Y



Fig&Index NO.	Parts No.	Parts Name	QTY.	Remark
3	1904856	CONSOLE ASS'Y, LED	1SET	
3-1	1905516	CONSOLE COVER	1	
3-2	1904318	CONTROL PANEL BUTTON	1	
3-3	2990309	BOLT M3x8L	6	
3-4	1904229	BATTERY INDICATOR, LABEL VERMEIREN	1	
3-5	1904230	CONTROL PANEL PC BOARD	1	
3-6		SPEED INDICATOR PAD	1	
3-7		FRONT/REAR LIGHT DISPLAY PAD	1	



www.max-vitaal.nl



3.COVER , HANDLE BAR ASS'Y

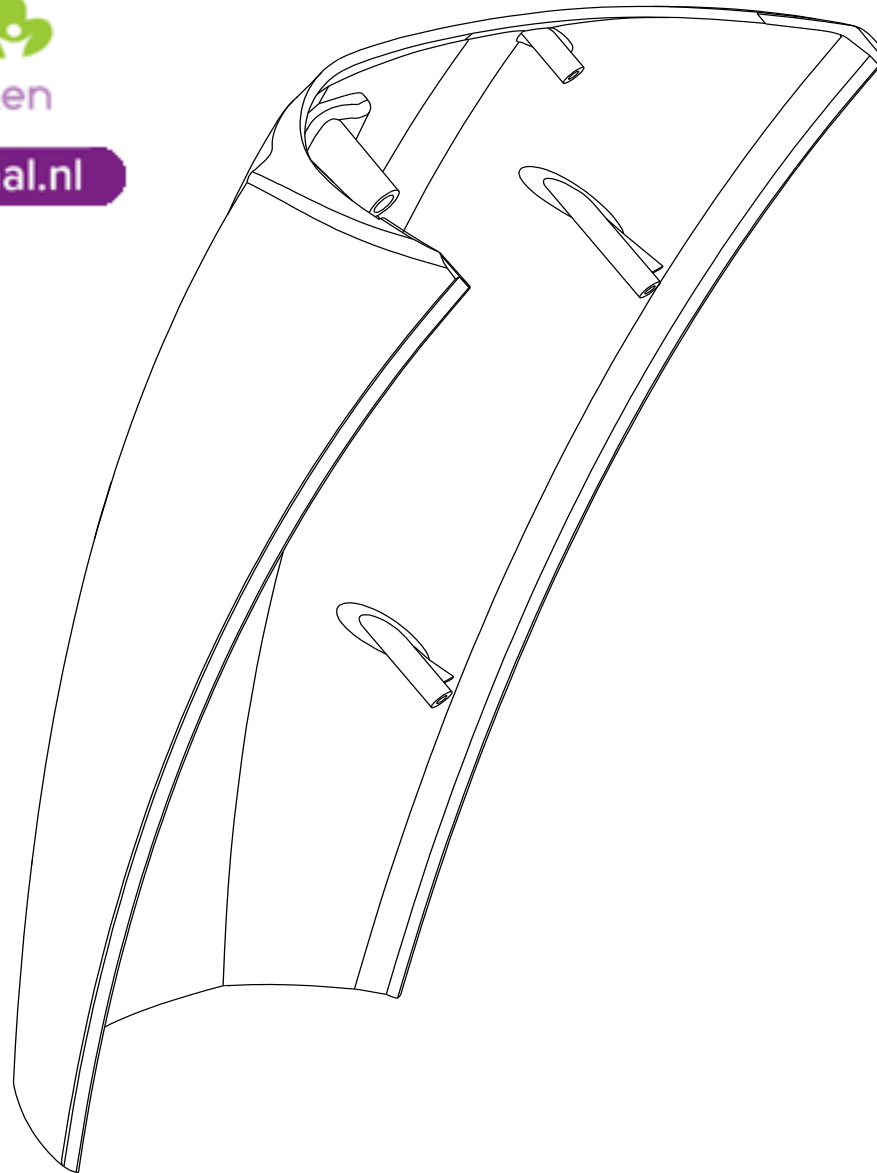


Fig&Index NO.	Parts No.	Parts Name	QTY.	Remark
3	1908936	CONSOLE ASS'Y, LCD	1SET	
3-1	1908754	CONSOLE COVER, LCD	1	
3-2	1908604	CONTROL PANEL PC BOARD	1	
3-3	1910236	CONTROL PANEL BUTTON	1	
3-4	1910237	PC BOARD COVER	1	
3-5		BOLT M3x8L	1	
3-6	1910563	WATER DEEP COVER	1	



zorghulpmiddelen

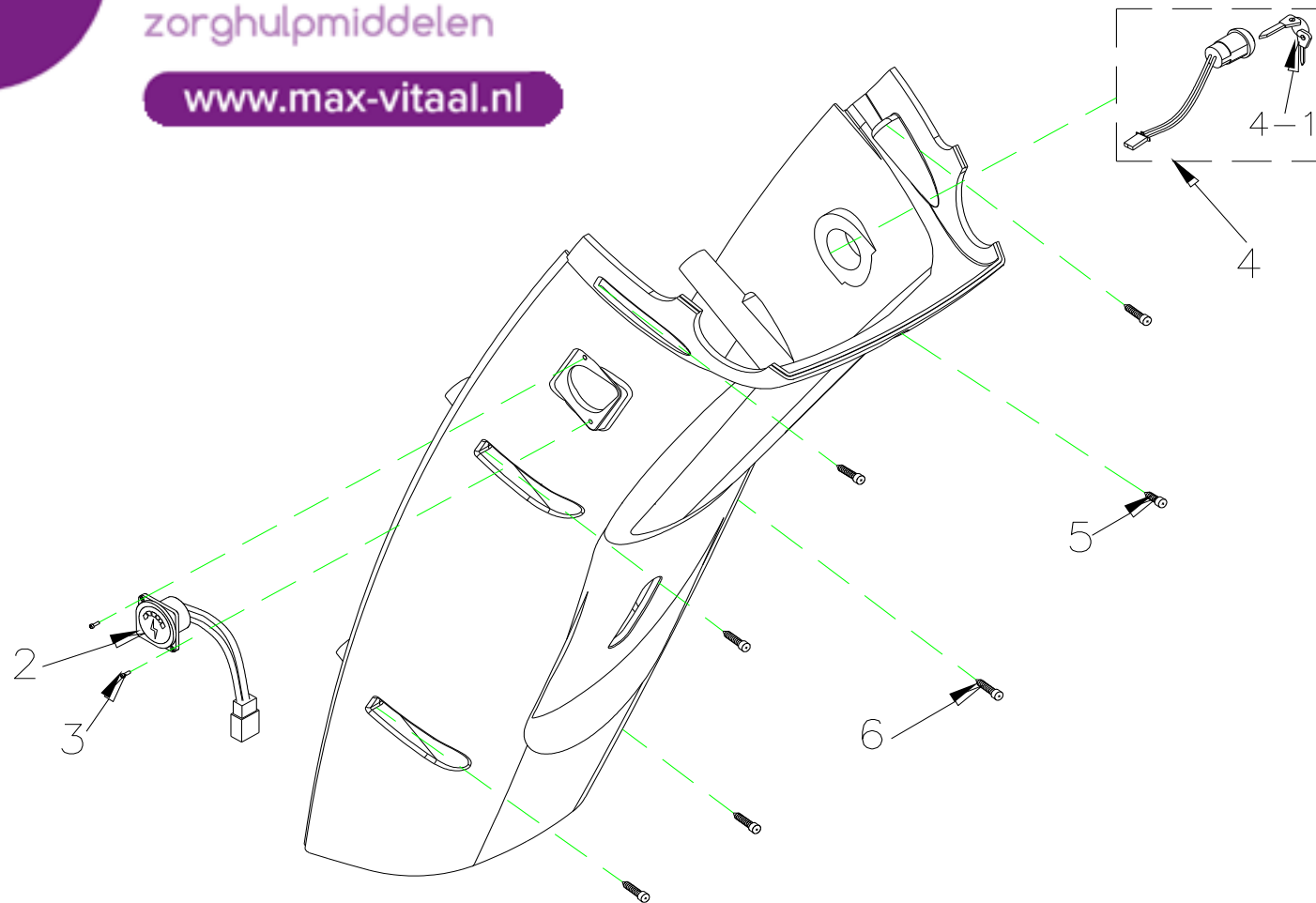
www.max-vitaal.nl



4.FRONT COVER ASS'Y , HAND BAR



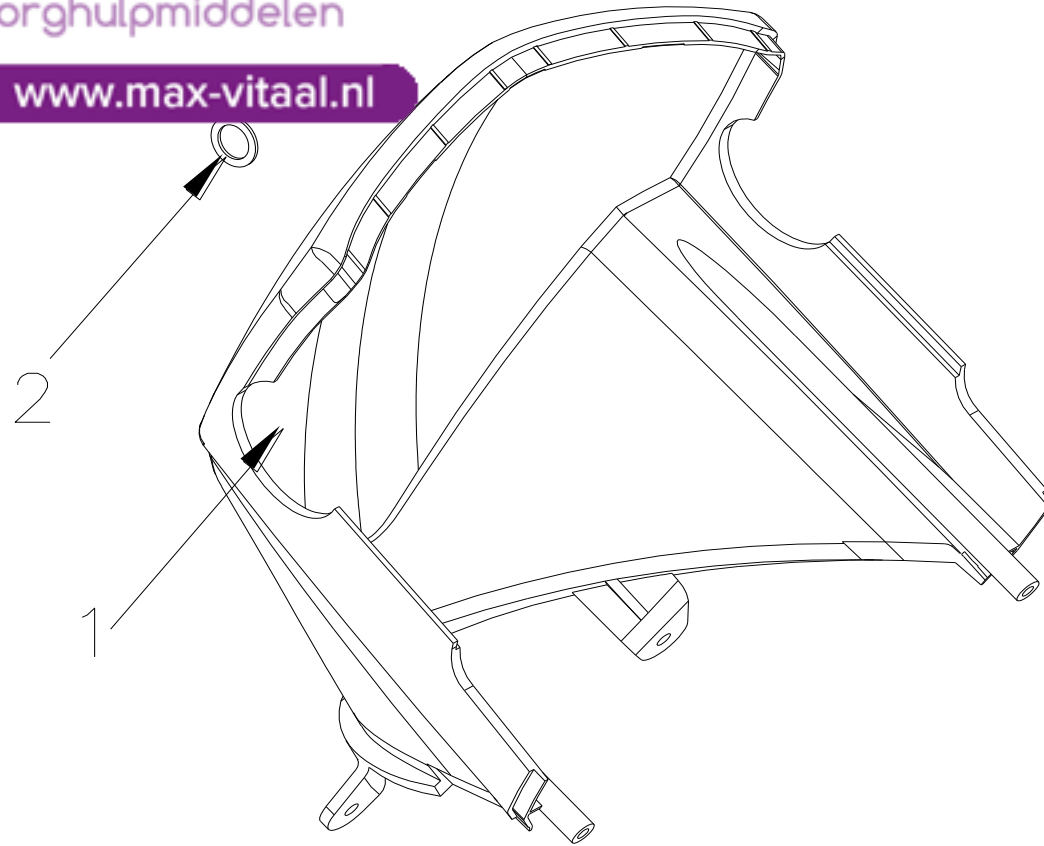
Fig&Index NO.	Parts No.	Parts Name	QTY.	Remark
4	1904321	TILLER FRONT COVER, SH 71	1	
4	1904322	TILLER FRONT COVER, WHITE 91	1	
4	1909910	TILLER FRONT COVER, BROWN 82	1	
4	1917162	TILLER FRONT COVER, GREY 77	1	



5.REAR COVER ASS'Y , HAND BAR



www.max-vitaal.nl



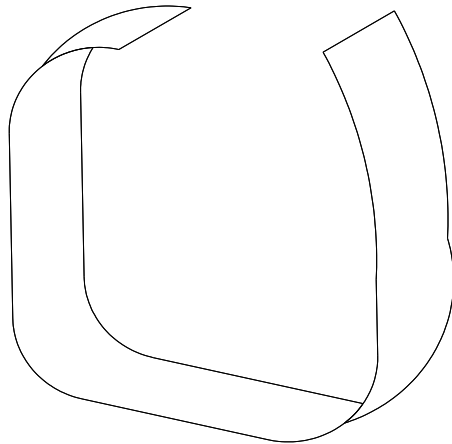
6. COVER , HANDLE BAR , LOWER ASS'Y



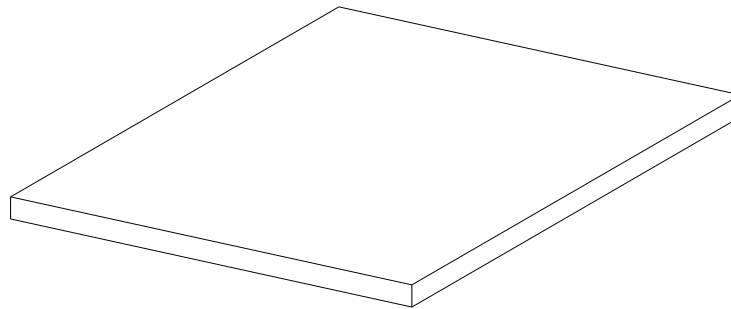
Fig&Index NO.	Parts No.	Parts Name	QTY.	Remark
6		TILLER HEAD COVER ASS'Y, SILVER 71	1SET	
6-1	1904338	TILLER HEAD COVER, SHAMPANGE 71	1	
6-2	1912151	PLUG	1	
6-1	1904339	TILLER HEAD COVER, WHITE 91	1	
6-1	1909333	TILLER HEAD COVER, BROWN 82	1	
6-1	1917164	TILLER HEAD COVER, GREY 77	1	



www.max-vitaal.nl



**7.VELCRO
STRIP,BATTERY**



8.RUBBER PAD,BATTERY



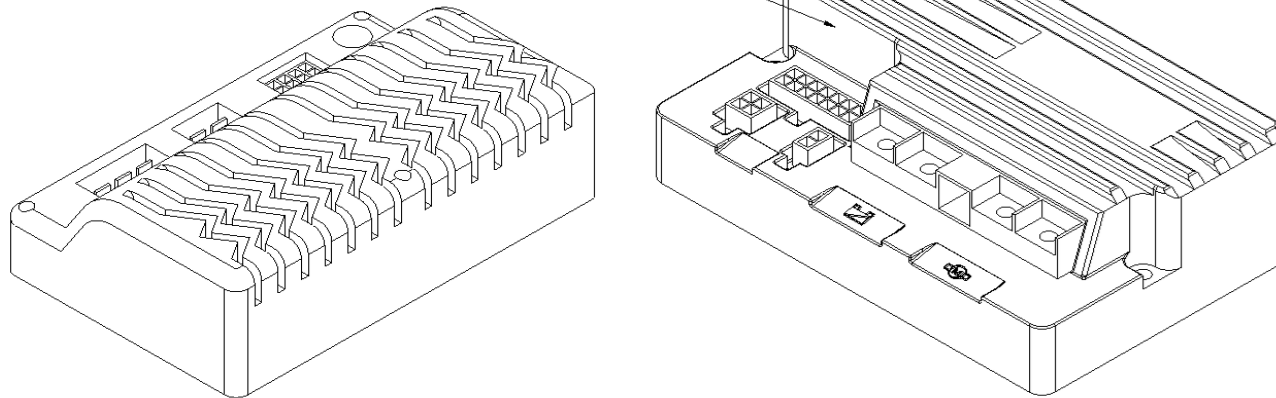
Fig&Index NO.	Parts No.	Parts Name	QTY.	Remark
7	1907731	VELCRO STRIP , BATTERY	1	
8	1912420	RUBBER PAD , BATTERY	1	



www.max-vitaal.nl

NO 2

RHINO 1

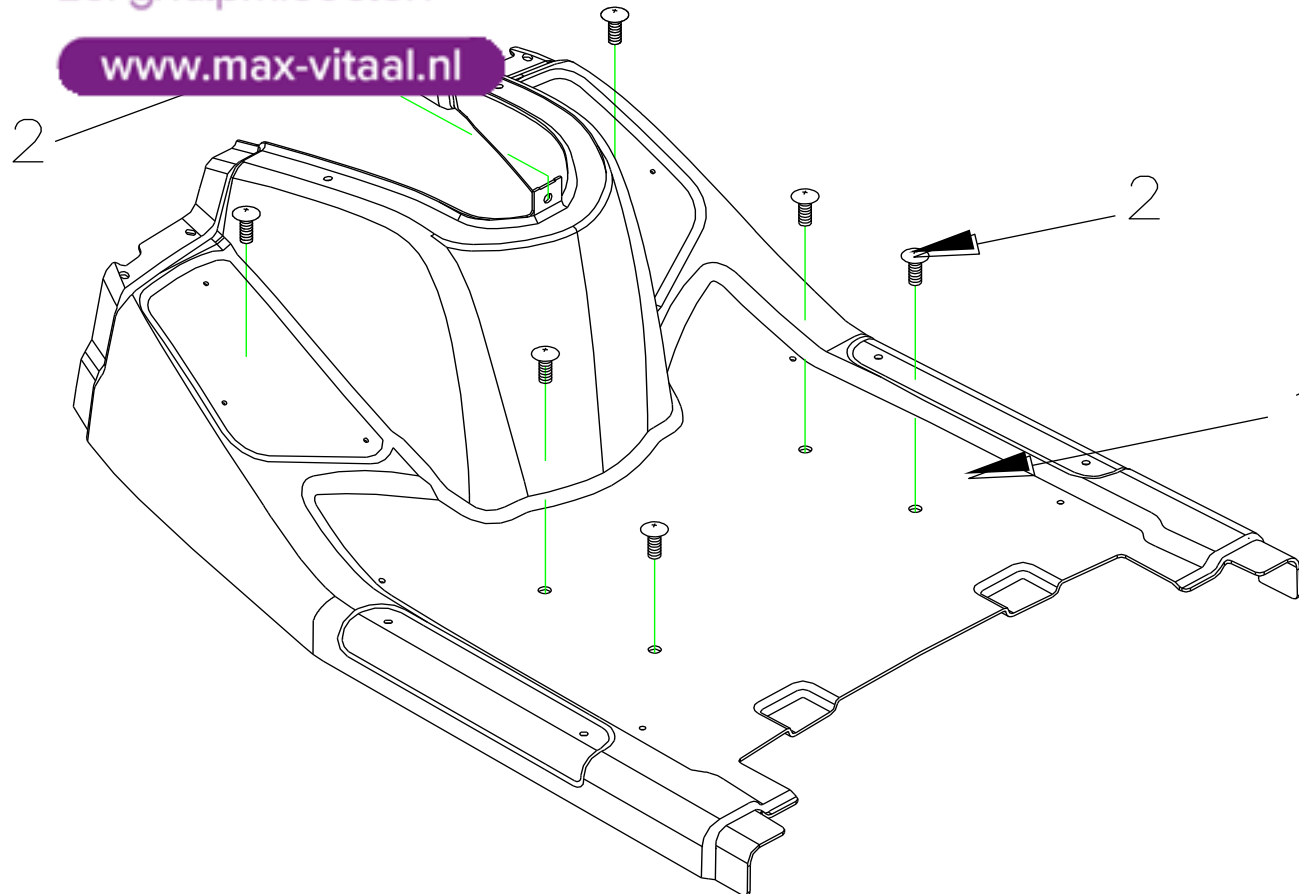


9. CONTROLLER

Fig&Index NO.	Parts No.	Parts Name	QTY.	Remark
9	1907982	CONTROLLER , DYNAMIC 160A , FOR RHINO 2	1	
		CONTROLLER , DYNAMIC 160A , FOR RHINO 1 (no longer available)		



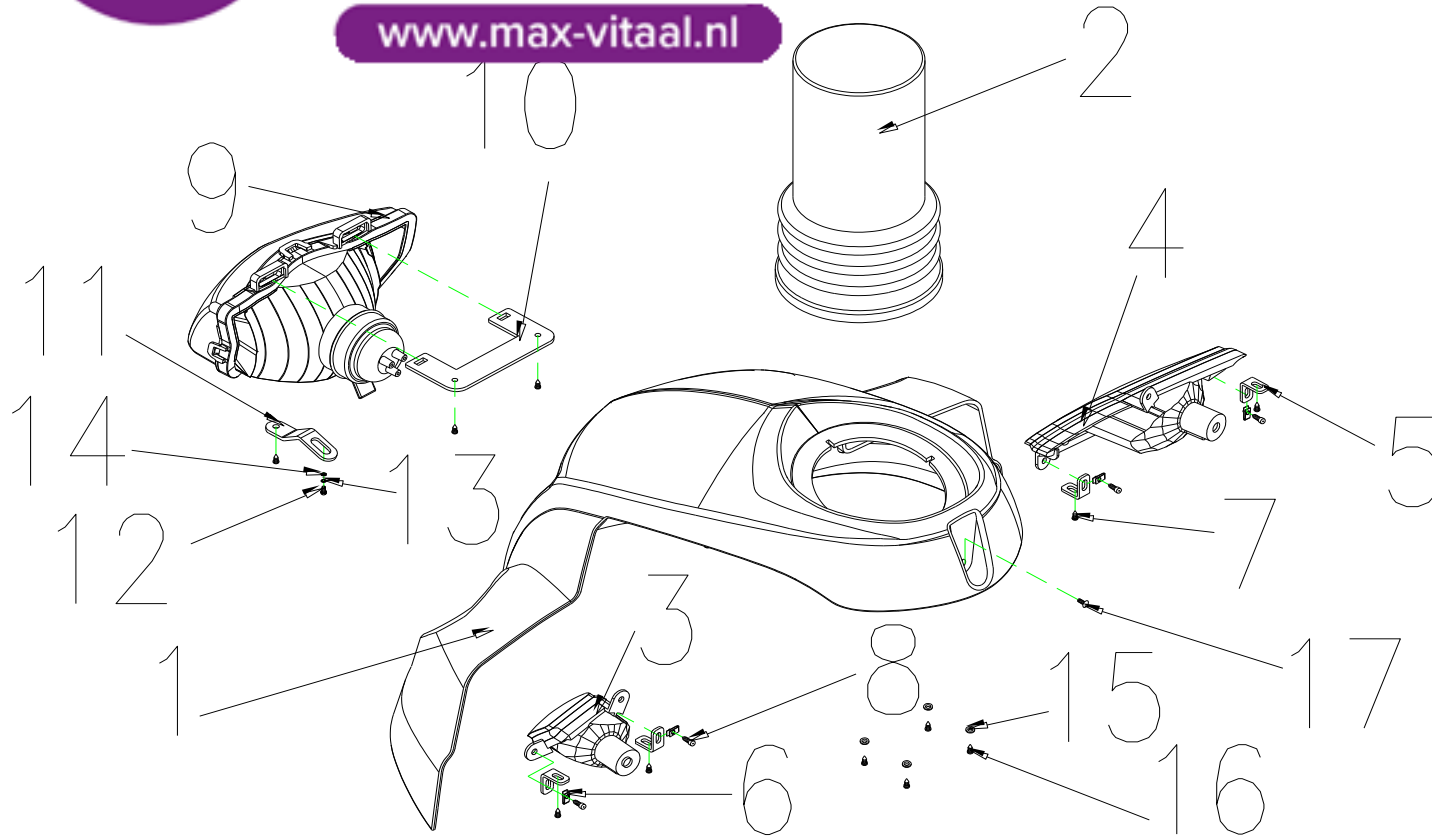
www.max-vitaal.nl



10.SHROUD ASS'Y



Fig&Index NO.	Parts No.	Parts Name	QTY.	Remark
		75ah use		
10	1911010	FOOT SHROUD ASS'Y , SILVER 71	1SET	
10-1		FOOT SHROUD , SILVER 71	1	
10-2		BOLT M6x20L	6	
10-3		U-TYPE SPRING NUT	1	
10	1914396	FOOT SHROUD ASS'Y , WHITE 91	1SET	
10-1		FOOT SHROUD , WHITE 91	1	
10-2		BOLT M6x20L	6	
10-3		U-TYPE SPRING NUT	1	
10	1911244	FOOT SHROUD ASS'Y , BROWN 82	1SET	
10-1		FOOT SHROUD , BROWN 82	1	
10-2		BOLT M6x20L	6	
10-2	1917250	FOOT SHROUD ASS'Y GREY 77		
10-3		U-TYPE SPRING NUT	1	



11.FRONT SHROUD ASS'Y



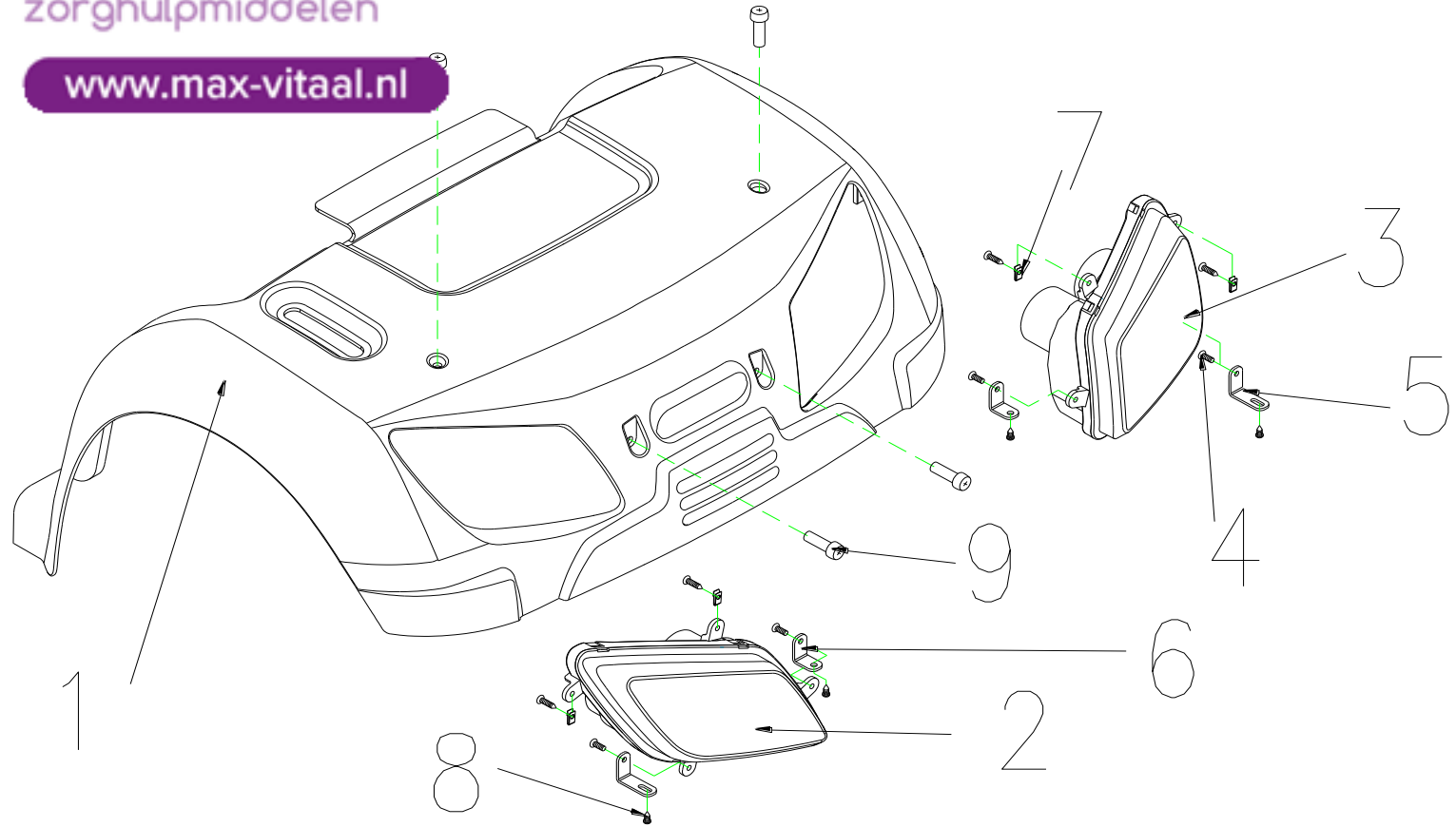
www.max-vitaal.nl

Fig&Index NO.	Parts No.	Parts Name	QTY.	Remark
11	1905742	FRONT SHROUD ASS'Y , SILVER 71 (CHAMPAGNE)	1SET	
11-1	1904252	FRONT SHROUD,SILVER 71	1	
11-2	1905198	RUBBER COVER , FRONT SHROUD	1	
11-3	1904261	FRONT SIGNAL LAMP , L	1	
11-4	1904262	FRONT SIGNAL LAMP , R	1	
11-5	1904274	FRONT SIGNAL LAMP BRACKET	4	
11-6	1907556	U-TYPE SPRING NUT	4	
11-7		BOLT M4x12L	9	
11-8		BOLT M4x20L	2	
11-9	1904263	HEADLIGHT	1	
11-10	1904264	HEADLIGHT BRACKET	1	
11-11	1904265	HEADLIGHT ADJUSTING PLATE	1	
11-12		BOLT M4x12L	1	
11-13		SPRING WASHER , M5	1	
11-14		WASHER , M6	1	
11-15	1905556	WASHER , 8mm	4	
11-16	1911086	BOLT M4x8L	4	
11-17	1907506	BOLT M6x20L	1	
11	1906027	FRONT SHROUD ASS'Y , WHITE 91	1SET	



zorghulpmiddelen

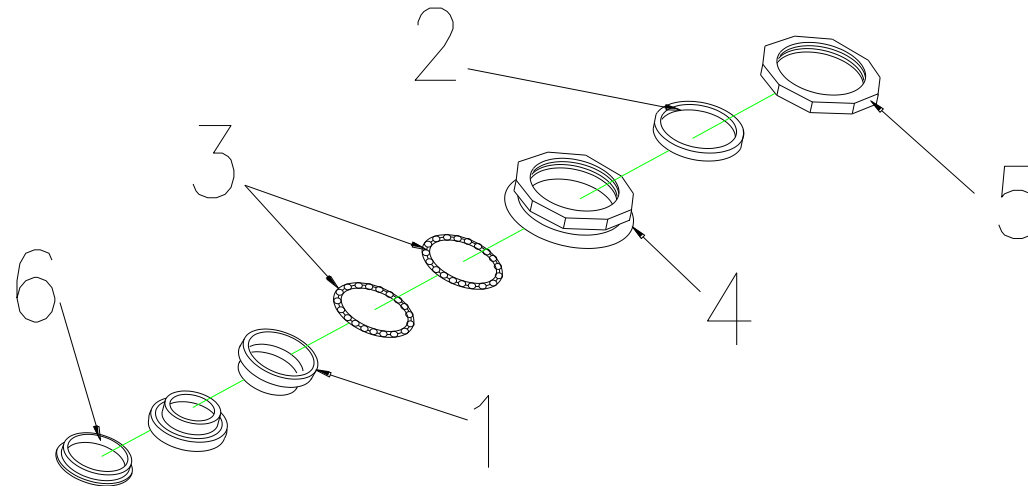
www.max-vitaal.nl



12. REAR SHROUD ASS'Y


www.max-vitaal.nl

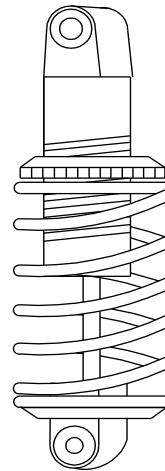
Fig&Index NO.	Parts No.	Parts Name	QTY.	Remark
12	1906204	REAR SHROUD ASS'Y , SILVER 71, W/O LABEL	1SET	
12-1	1904266	REAR SHROUD , SILVER 71	1	
12-1	1908787	REAR SHROUD , BROWN	1	
12-1	1917161	REAR SHROUD GREY 77		
12-2	1904268	REAR SIGNAL LAMP , L	1	
12-3	1904269	REAR SIGNAL LAMP , R	1	
12-4		BOLT M4x10L	4	
12-5	1908622	REAR SIGNAL LAMP BRACKET - LONG	4	
12-6	1908623	REAR SIGNAL LAMP BRACKET - SHORT	4	
12-7		U-TYPE SPRING NUT	4	
12-8		BOLT M4x12L	8	
12-9		BOLT M6x20L	4	
12	1905082	REAR SHROUD ASS'Y , WHITE 91, W/O LABEL	1SET	
12	1909039	REAR SHROUD ASS'Y ,BROWN 82, W/O LABEL	1SET	



13.REGULAR BEARING BALL SET



Fig&Index NO.	Parts No.	Parts Name	QTY.	Remark
13	1904315	REGULAR BEARING BALL SET	1SET	
13-1		CUP , UPPER	2	
13-2		COLLARLESS WASHER	1	
13-3		BEARING	2	
13-4		BEARING BUSH	1	
13-5	1909608	LOCKING NUT,BEARING	1	
13-6		BEARING CAGE	1	



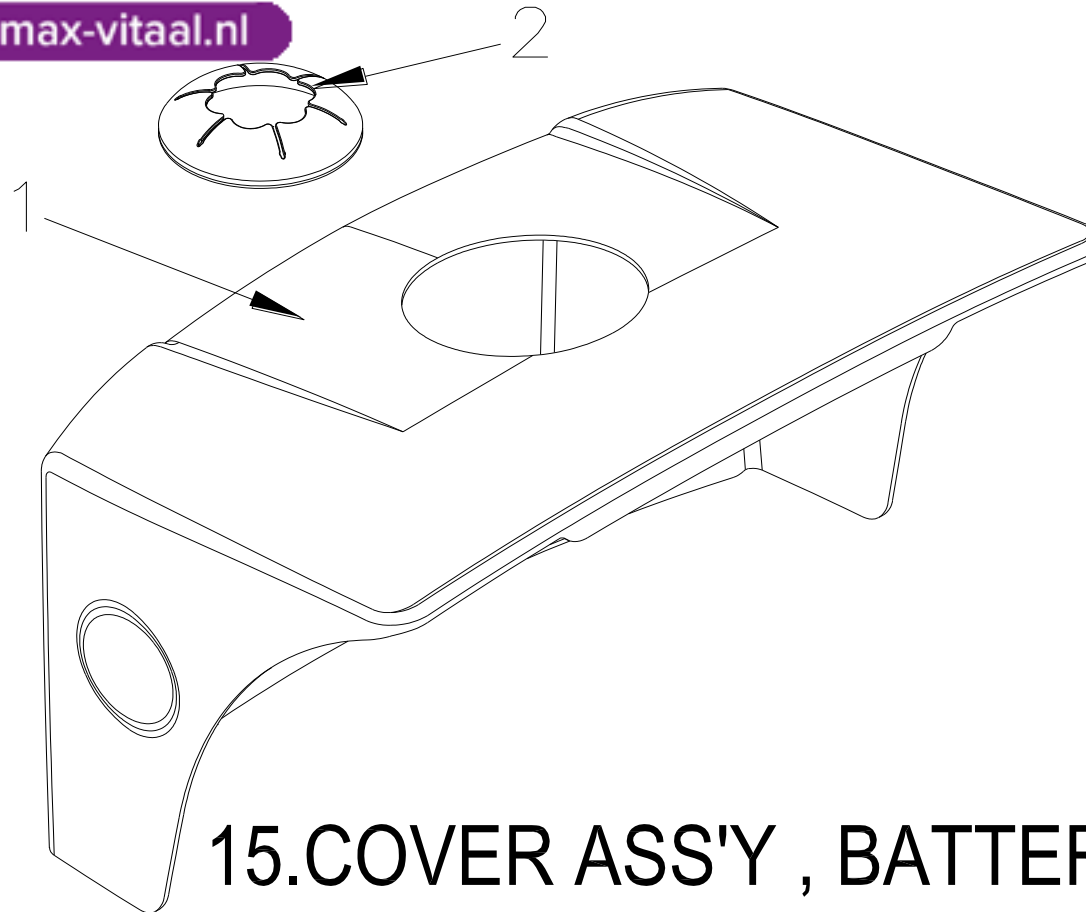
14.ABSORBER, 750LBS



Fig&Index NO.	Parts No.	Parts Name	QTY.	Remark
14	1904225	ABSORBER , 750LBS	1	



www.max-vitaal.nl



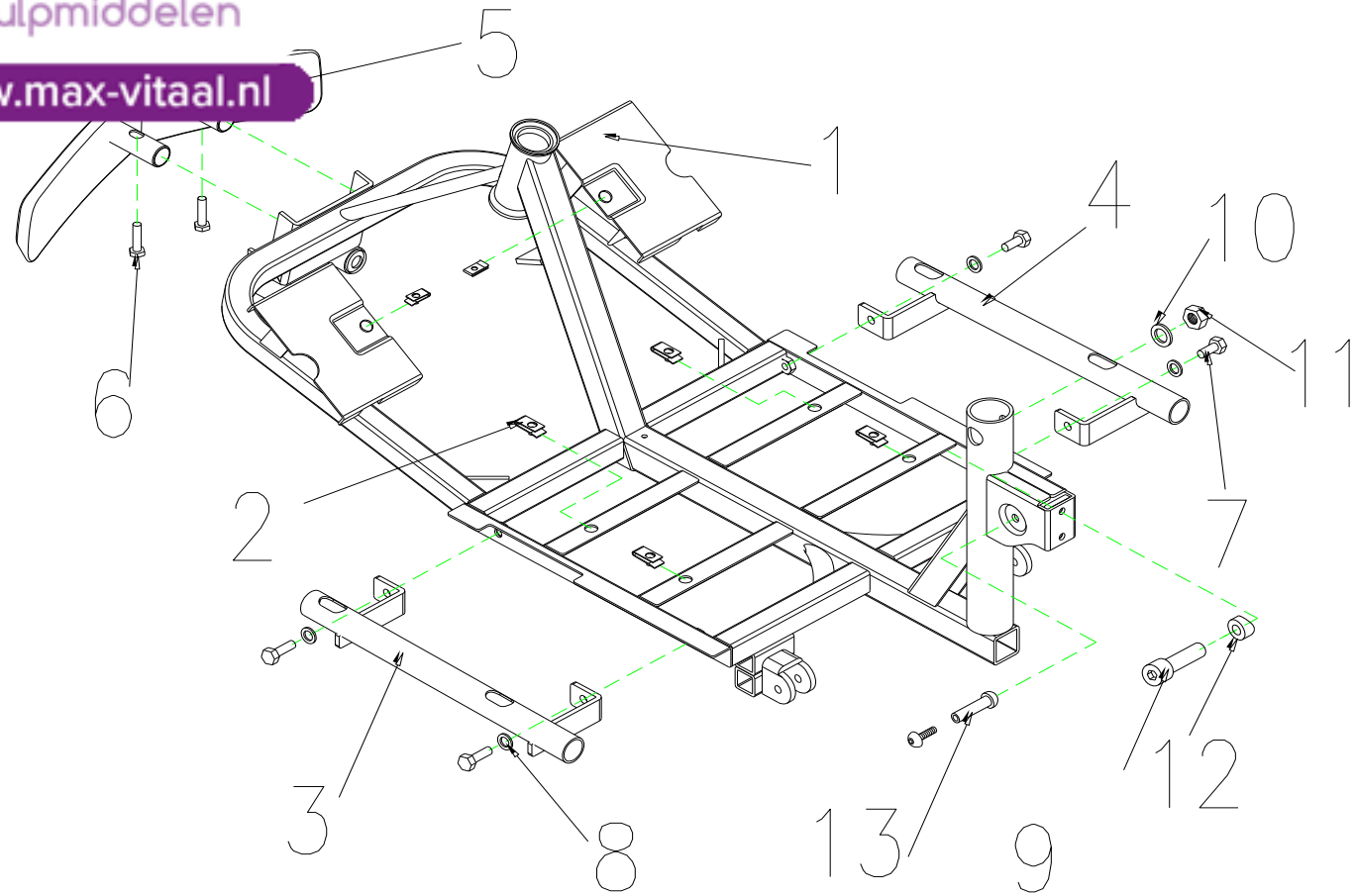
15.COVER ASS'Y , BATTERY



Fig&Index NO.	Parts No.	Parts Name	QTY.	Remark
15		BATTERY SHROUD, BLACK 61, W/O LABEL, for 75AH	1SET	
15-1	1912476	COVER BATTERY , BLACK 61 , 75AH USE	1	
15-2	1904390	RUBBER COVER , REAR SHROUD	1	



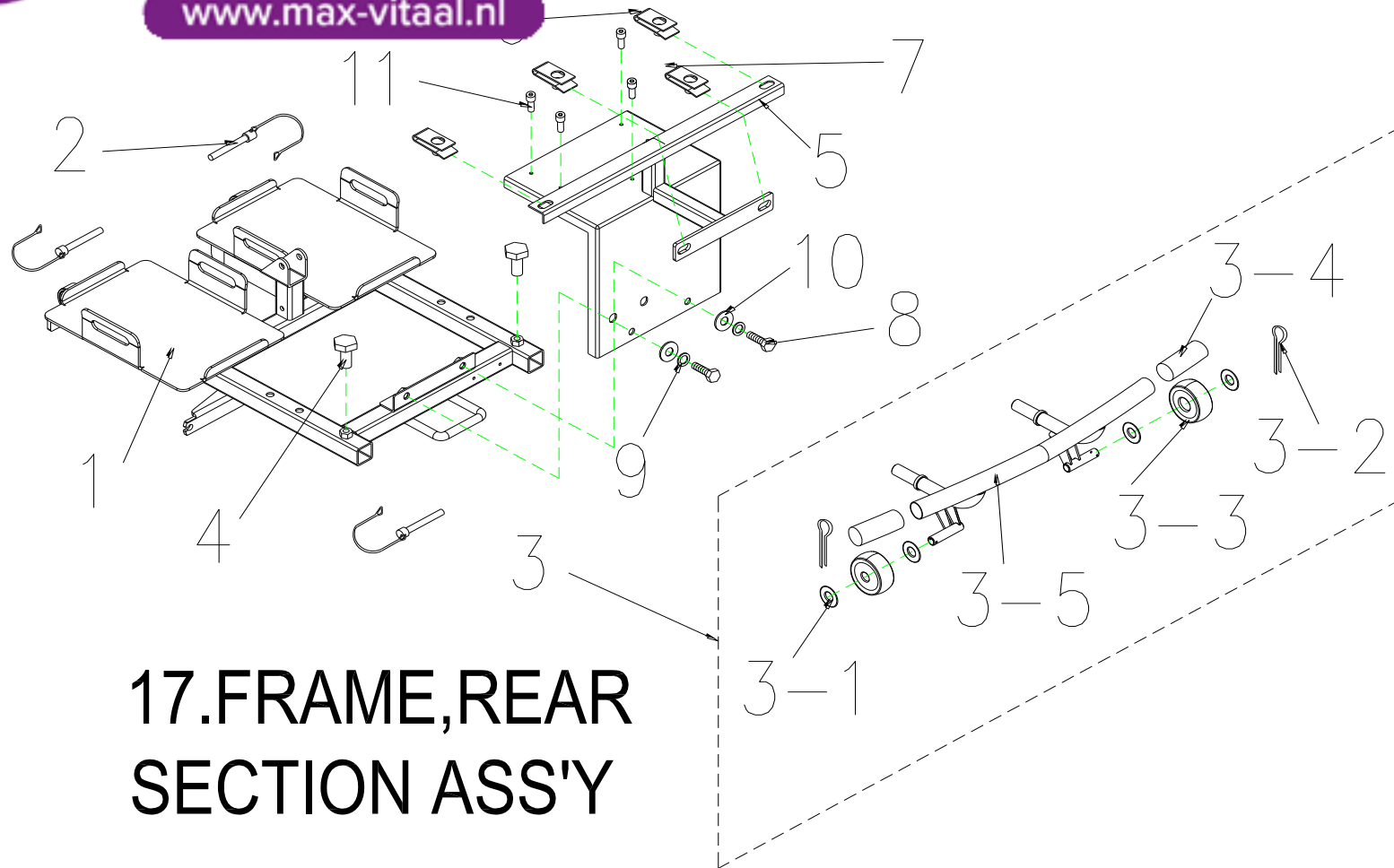
www.max-vitaal.nl



16.FRAME,FRONT SECTION ASS'Y



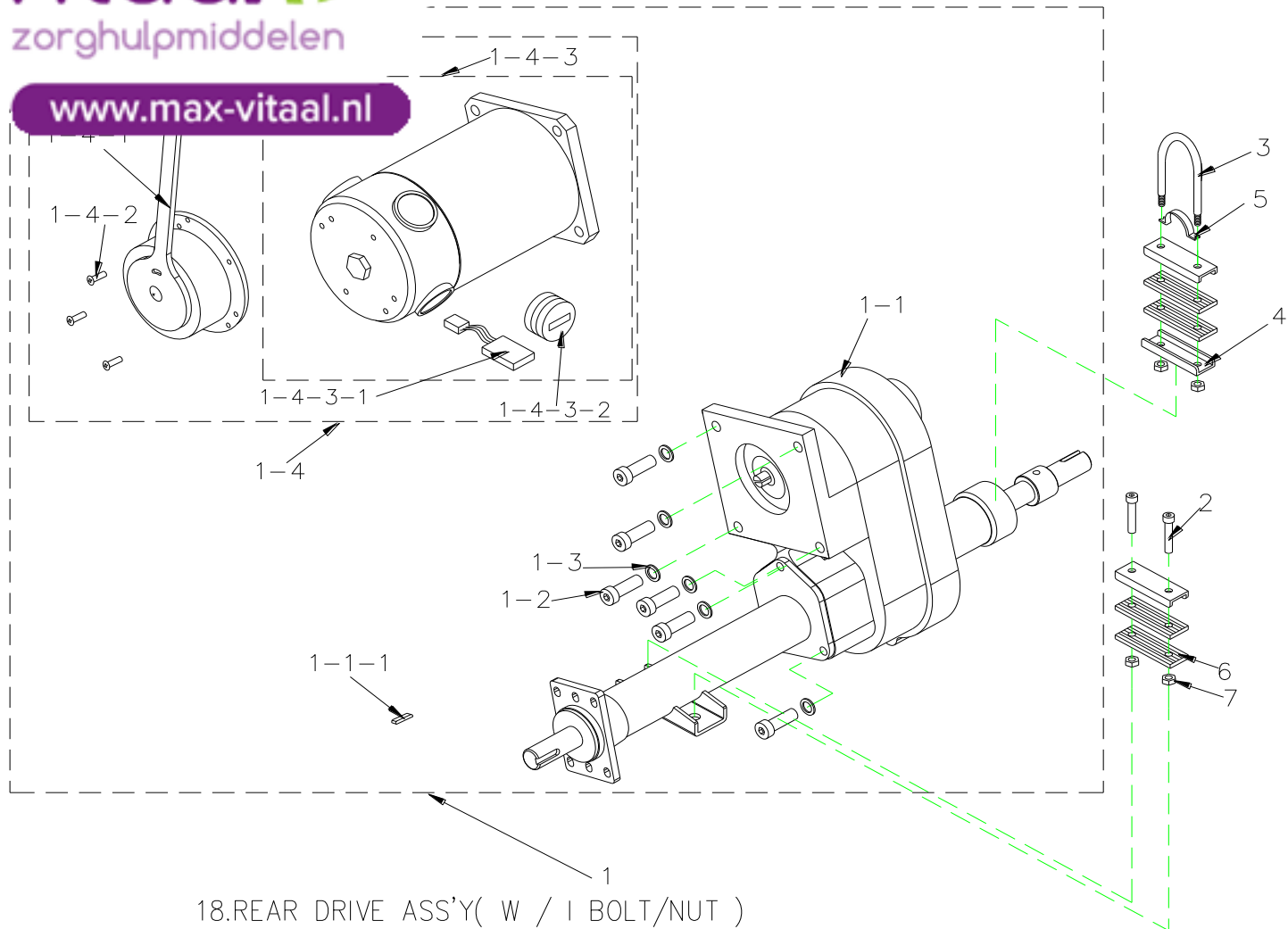
Fig&Index NO.	Parts No.	Parts Name	QTY.	Remark
16	1911011	FRAME,FRONT SECTION ASS'Y	1SET	
16-1	1904717	FRAME,FRONT SECTION	1	
16-2		U-TYPE SPRING NUT	6	
16-3		HOLDER ,FOOTREST , L	1	
16-4		HOLDER ,FOOTREST , R	1	
16-5	1905743	FRONT BUMPER ASS'Y	1	
16-6		CR ROUND HD SCREW,M8x30L	2	
16-7		CR ROUND HD SCREW,M8x20L	4	
16-8		SPRING WASHER,5/16	4	
16-9		BOLT , M10X55L	1	
16-10		WASHER , M10	1	
16-11		LOCK NUT , M10XP1.5	1	
16-12		WASHER,ψ10Xψ19X3.5L	1	
16-13		HEX BOLT , M8xP1.25x30L	1	



**17.FRAME,REAR
SECTION ASS'Y**



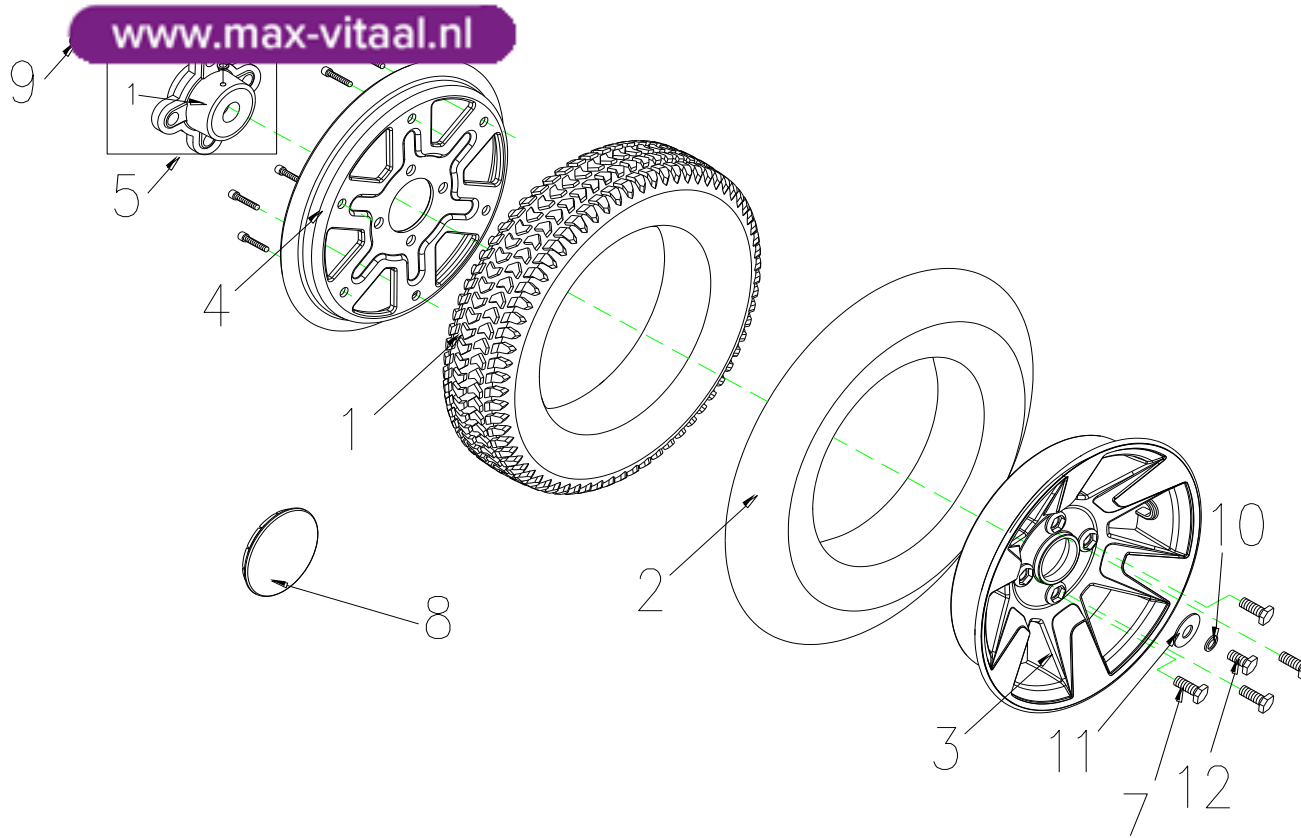
Fig&Index NO.	Parts No.	Parts Name	QTY.	Remark
17		FRAME , REAR SECTION ASS'Y	1SET	
17-1	1905559	FRAME , REAR SECTION	1	
17-2	1908632	LOCK PIN , Φ8x41L	3	2 FOR FRAME, 1 FOR SUSPENSION
17-3	1906012	REAR BUMPER ASS'Y	1	
17-3-1	1911290	PLASTIC WASHERψ40xψ17.5x2T	4	
17-3-2		R TYPE PIN	2	
17-3-3	1905008	ANT-TIP WHEELS	2	
17-3-4	1909521	BUMPER,GRIP	2	
17-3-5	1905560	REAR BUMPER	1	
17-4		HEX FLANGE BOLT,M8x30L	2	FOR REAR BUMPER
17-5	1909152	REAR BRACKET , W/I CONTROLLER HOLDER	1	
17-6		U-TYPE SPRING NUT	2	
17-7	1911840	U-TYPE SPRING NUT	2	
17-8		HEX FLANGE BOLT,M8x20L	2	
17-9		SPRIG WASHER 5/16	2	
17-10		WASHER 5/16	2	
17-11		BOLT M4x30L	3	FOR CONTROLLER



18.REAR DRIVE ASS'Y(W / I BOLT/NUT)


www.max-vitaal.nl

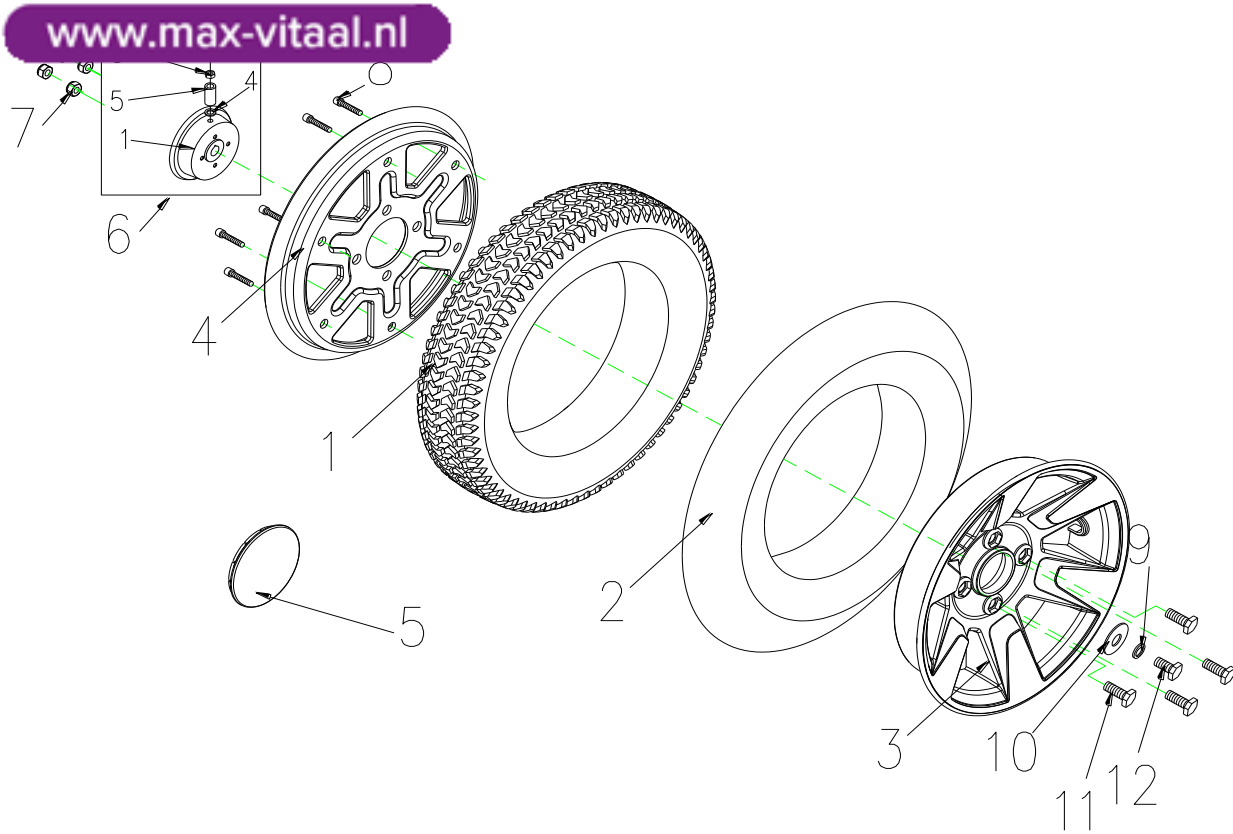
Fig&Index NO.	Parts No.	Parts Name	QTY.	Remark
18		REAR DRIVE ASS'Y (WITH BOLT / NUT) ,750W5500RPM20 : 1 , RHINO 2 CONTROLLER USE	1SET	AFTER P118276 USE
18-1	1904830	REAR DRIVE ASS'Y (WITHOUT BOLT / NUT) , 750W5500RPM20 : 1, RHINO 2 CONTROLLER USE	1	
18-1-1	1904271	TRANSAXLE ONLY (WITHOUT MOTOR)	1	
18-1-1-1		PIN,5x5x35	2	
18	1904930	REAR DRIVE ASS'Y (WITH BOLT / NUT) ,750W5500RPM22 : 1, RHINO 2 CONTROLLER USE	1SET	
18-1		REAR DRIVE ASS'Y (WITHOUT BOLT / NUT) , 750W5500RPM22 : 1, RHINO 2 CONTROLLER USE	1	
18-1-1	1905024	TRANSAXLE ONLY (WITHOUT MOTOR)	1	
18-1-1-1		PIN,5x5x35	2	
18-1-2	1904271	BOLT , M8x20L	4	
18-1-3	1907794	SPRING WASHER , 5/16	4	
18-1-4	1908012	MOTOR (WITH BRAKE) ,750W5500RPM,RHINO 2 USE	1	
18-1-4-1	1905746	ELECTRO-MAGNETIC BRAKE , 100kgf-cm	1	
18-1-4-2		BOLT , M4x12	3	
18-1-4-3	1905022	MOTOR ONLY , 750W5500RPM	1	
18-1-4-3-1	1904275	CARBON BRUSH , 7x17mm	4	
18-1-4-3-2	1904276	CARBON BRUSH CAP , 7x17mm	4	
18-2	1910810	BOLT,M8x50	2	
18-3	1910809	U-TYPE BOLT , M8x1.25x98Hx15mm	1	
18-4	1910808	U-TYPE PLATE , MOTOR	3	
18-5	1910811	ARCH TYPE PLATE , MOTOR	1	
18-6	1910812	RUBBER DAMPER PAD , MOTOR	4	
18-7		LOCK NUT , M8x1.25	4	



19.REAR TIRE ASS'Y , R



Fig&Index NO.	Parts No.	Parts Name	QTY.	Remark
19	1908295	REAR TIRE ASS'Y , BLACK , R	1SET	
19-1	1904287	TIRE , BLACK , 3.0-8C248-16	1	
19-2	1904286	INNER TUBE , 3.0-8	1	
19-3	1908462	WHEEL RIM , ALUNINUM , 8"	1	
19-4	1908461	WHEEL RIM , IRON , 8"	1	
19-5		AXLE COLLAR,REAR WHEEL , ASS'Y	1	
19-5-1	1909778	AXLE COLLAR,REAR WHEEL	1	內外鋁組合
19-5-2		BOLT M8X25L	1	鋁及軸套
19-5-3		NUT M8X13	1	
19-5-4		SPRING WASHER	1	
19-6		BOLT M6x30L	6	
19-7		HEXAGONAL BOLT M8x1.25x25L	4	
19-8	1909516	WHEEL COVER	1	
19-9		LOCK NUT , M8x1.25	4	
19-10	1907794	SPRING WASHER , 5/16	1	
19-11	1906451	WASHER , 5/16	1	
19-12	1907793	HEXAGONAL BOLT M8x1.25x20L	1	



20.REAR TIRE ASS'Y , L

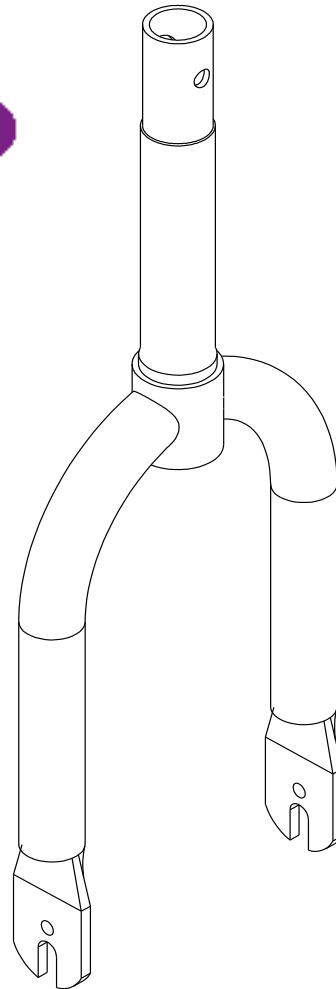

www.max-vitaal.nl

Fig&Index NO.	Parts No.	Parts Name	QTY.	Remark
20	1908296	REAR TIRE ASS'Y,BLACK, L	1SET	
20-1	1904287	TIRE , BLACK , 3.0-8C248-16	1	
20-2	1904286	INNER TUBE , 3.0-8	1	
20-3	1908462	WHEEL RIM , ALUNINUM , 8"	1	
20-4	1908461	WHEEL RIM , IRON , 8"	1	
20-5	1909516	WHEEL COVER	1	
20-6		WHEEL RIM , STEEL , ASS'Y	1	
20-6-1	1906570	WHEEL RIM , STEEL	1	
20-6-2		BOLT M8X65L	1	
20-6-3		NUT M8X13	1	
20-6-4		SPRING WASHER	1	
20-6-5		SPACER	1	
20-7		LOCK NUT , M8x1.25	4	
20-8		BOLT M6x30L	6	
20-9	1907794	SPRING WASHER , M8	1	
20-10	1906451	WASHER	1	
20-11		BOLT , M8x20L	4	
20-12		BOLT , M8x20L	1	



zorghulpmiddelen

www.max-vitaal.nl



21.FRONT FORK ASS'Y

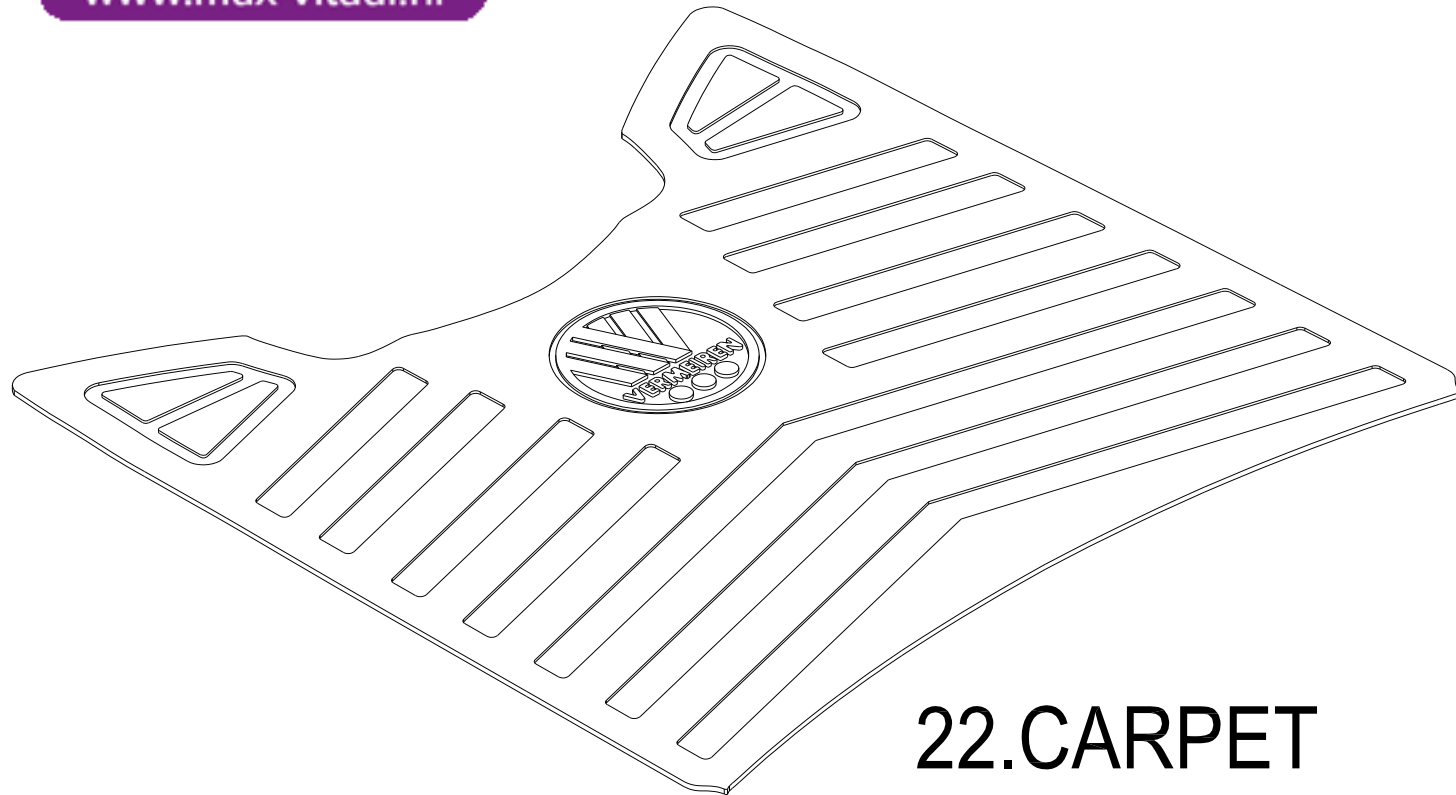


Fig&Index NO.	Parts No.	Parts Name	QTY.	Remark
21	1904226	FRONT FORK ASS'Y	1SET	



zorghulpmiddelen

www.max-vitaal.nl



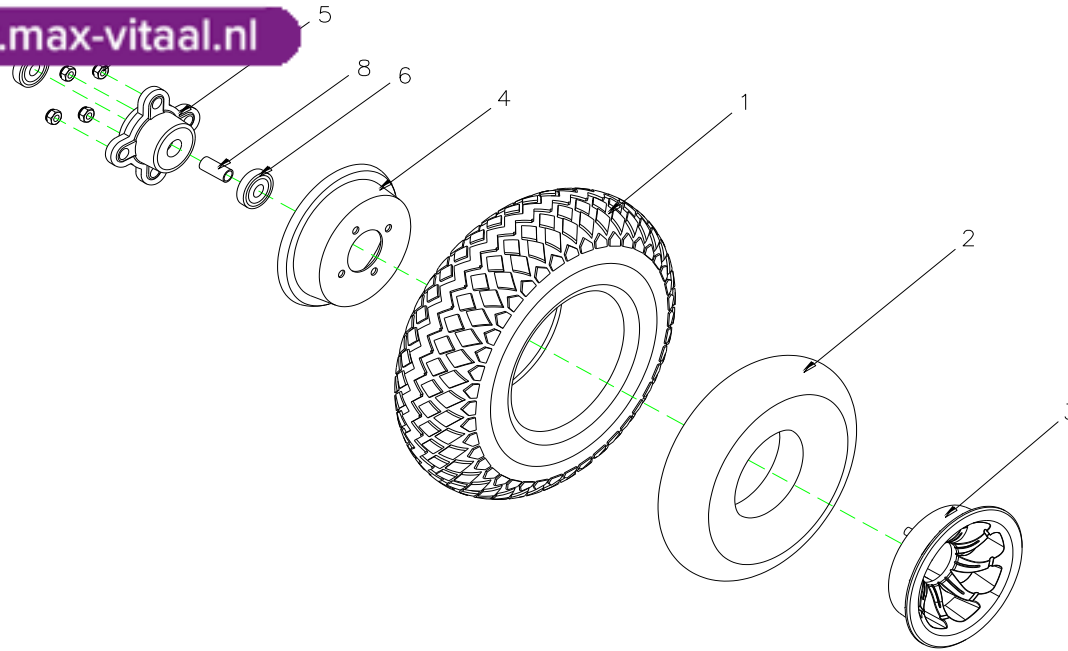
22.CARPET



Fig&Index NO.	Parts No.	Parts Name	QTY.	Remark
22	1909971	RUBBER CARPET, for 75AH	1	



www.max-vitaal.nl



23.FRONT TIRE ASS'Y

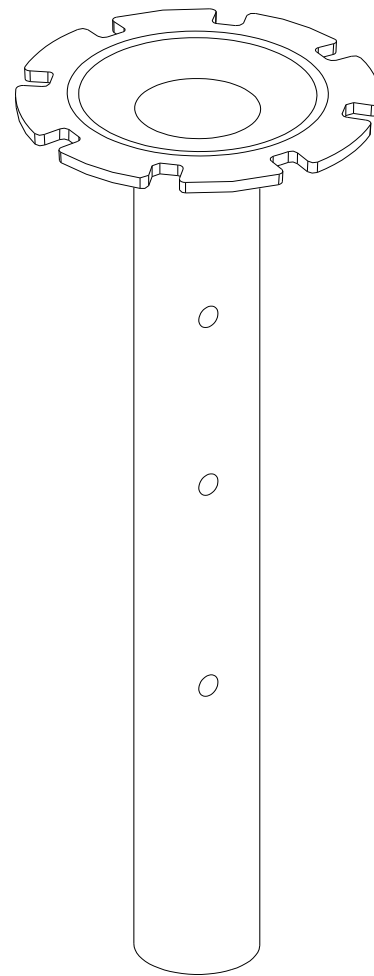


Fig&Index NO.	Parts No.	Parts Name	QTY.	Remark
23	1904280	FRONT TIRE ASS'Y 400-4 C154-1 BLACK	1SET	
23-1	1904285	TIRE , 400-4 C154-1 BLACK	1	
23-2	1904284	INNER TUBE 400-4-87	1	
23-3	1905594	WHEEL RIM , ALUNINUM , 4"	1	
23-4	1907125	WHEEL RIM , STEEL , 4"	1	
23-5	1905467	AXLE COLLAR,FRONT WHEEL	1	
23-6		BEARING	2	
23-7		LOCK NUT,M8x1.25	4	
23-8		SPACER	1	
23-9	1906451			



zorghulpmiddelen

www.max-vitaal.nl

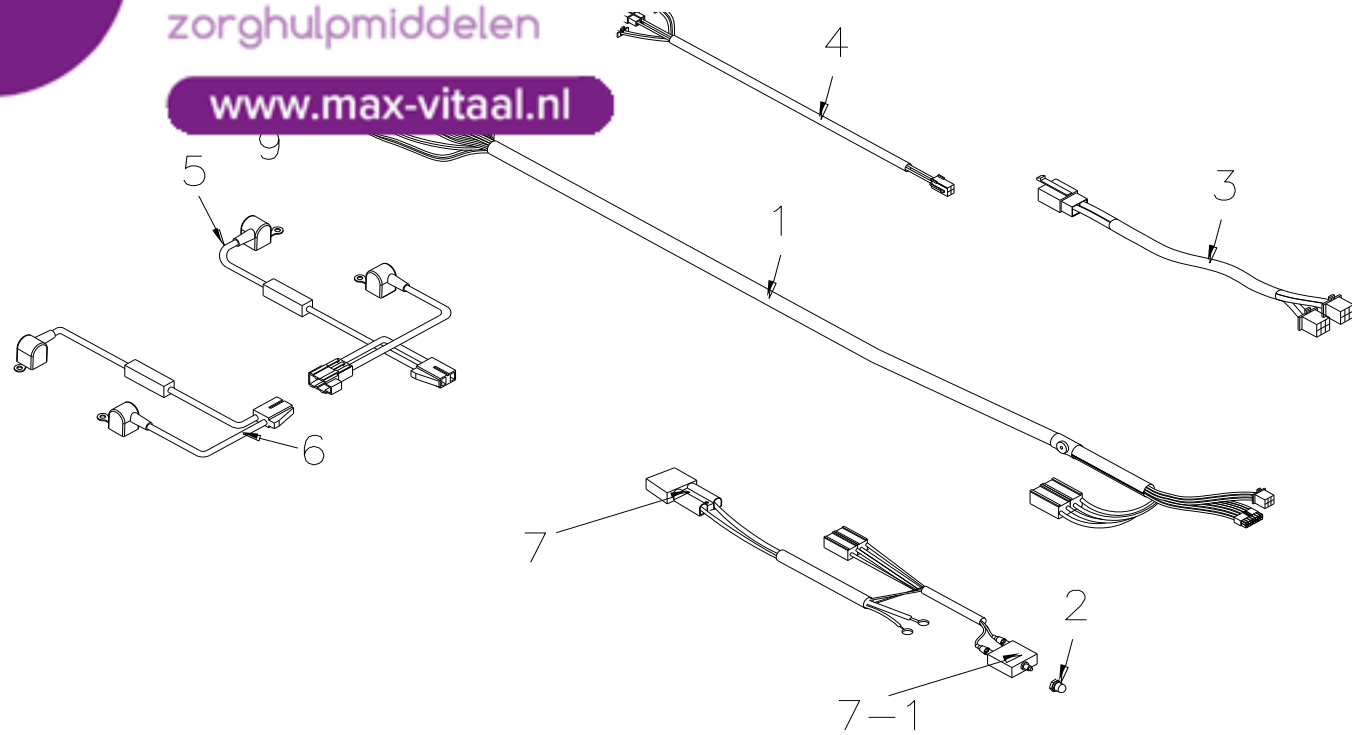


24. SEAT POST



zorghulpmiddelen

www.max-vitaal.nl



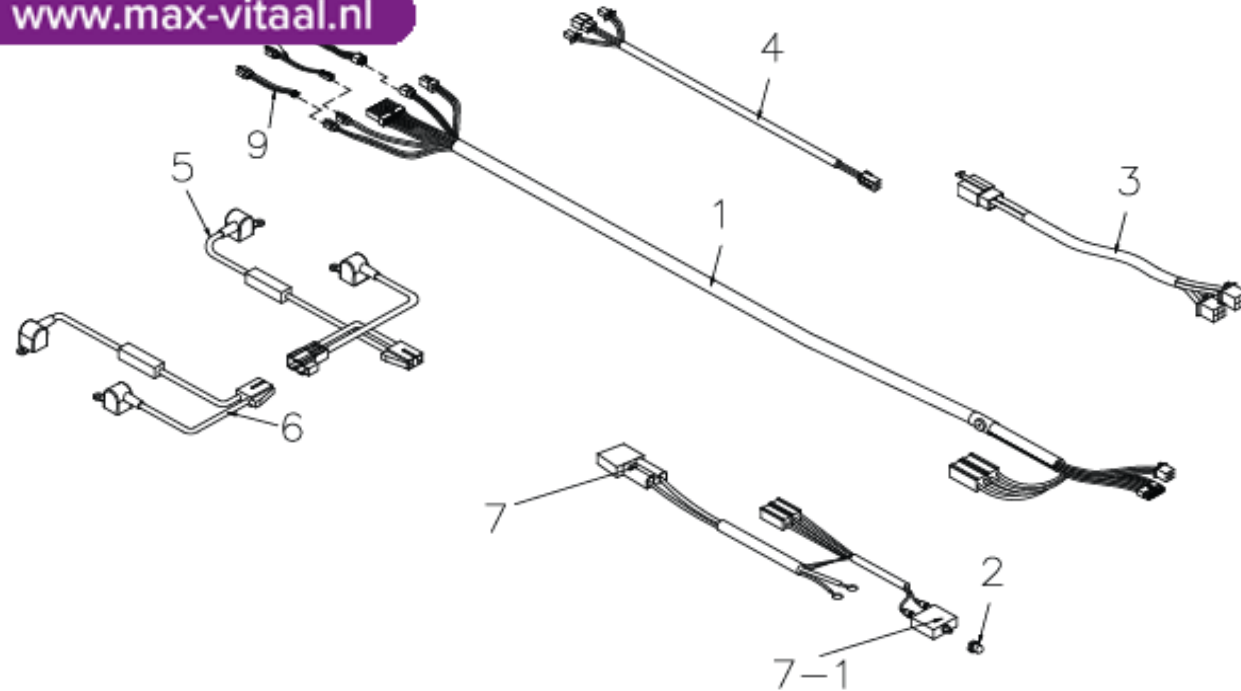
25. WINE HARNESS ASS'Y



Fig&Index NO.	Parts No.	Parts Name	QTY.	Remark
24	1904313	SEAT POST	1	



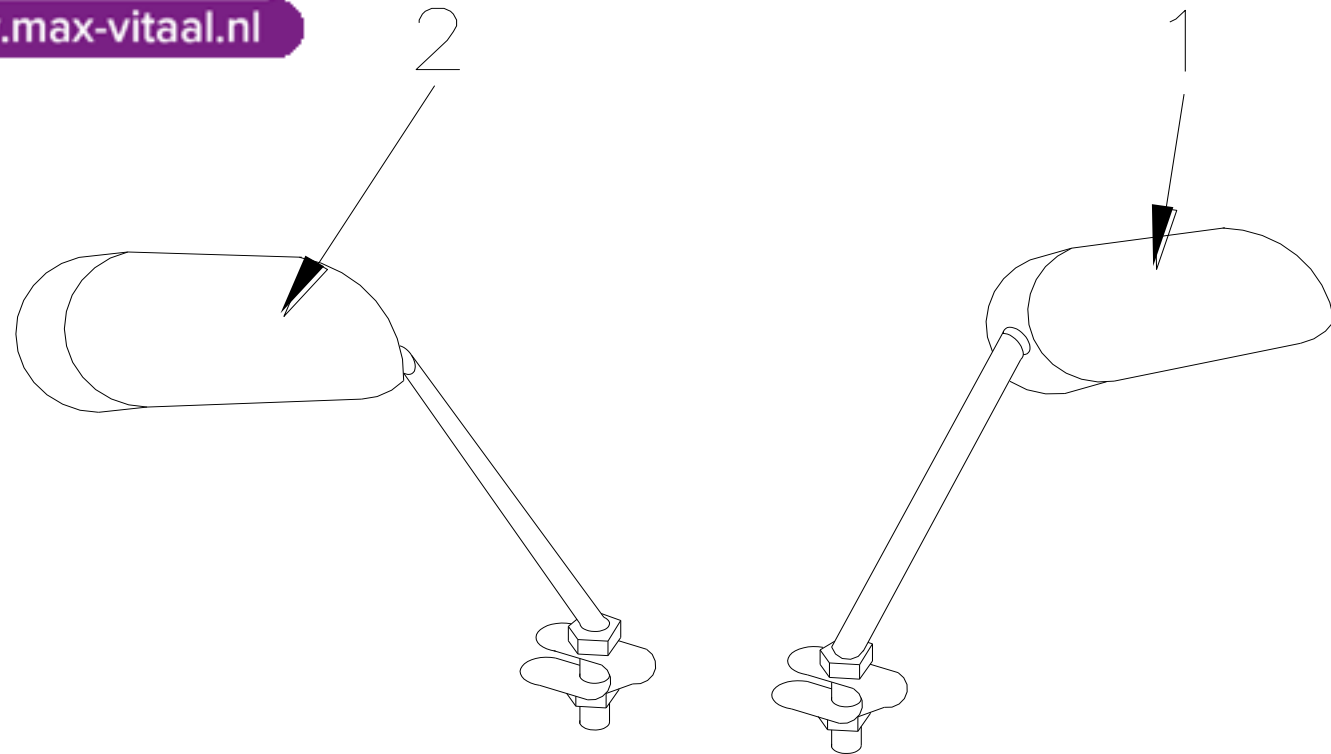
Fig&Index NO.	Parts No.	Parts Name	QTY.	Remark
25		WIRE HARNESS ASS'Y, FRONT TO REAR, for RHINO 2 160A CONTROLLER	1SET	
25-1	1909885	WIRE HARNESS, for RHINO 2 160A CONTROLLER	1	
25-2		PLUG	1	
25-3	1908273	REAR LIGHT CABLE ASS'Y	1	
25-4	1904308	TURN SIGNALS CABLE	1	
25-5	1908274	BATTERY CABLE , W/I FUSE	1	
25-6	1908275	BATTERY CABLE , W/I FUSE	1	
25-7	1908239	POWER CABLE, inclu. 70A BREAKER	2	
25-7-1	1912505	70A BREAKER	1	
	1912505	RELAIS CABLE BRAKE LIGHT (NOT DEPICTED)	1	



25. WIRE HARNESS ASS'Y, FRONT TO REAR,
for RHINO 2 160A CONTROLLER - LCD



Fig&Index NO.	Parts No.	Parts Name	QTY.	Remark
25		WIRE HARNESS ASS'Y, FRONT TO REAR, for RHINO 2 160A CONTROLLER - LCD	1SET	
25-1	1909868	WIRE HARNESS, FRONT TO REAR, for RHINO 2 160A- LCD, w/ Molex plug	1	
25-2		PLUG	1	
25-3	1908273	REAR LIGHT CABLE	1	
25-4	1904308	TURN SIGNALS CABLE	1	
25-5	1908274	BATTERY CABLE , W/I FUSE	1	
25-6	1908275	BATTERY CABLE , W/I FUSE	1	
25-7	1909885	POWER CABLE, inclu. 70A BREAKER	2	
25-7-1	1908239	BREAKER , 70A	1	
25-8	NA	ADAPTER for IGNITION SWITCH	1	
25-9	NA	ADAPTER for SPEED LEVER	1	
25-10	NA	ADAPTER for TURN SIGNALS	1	



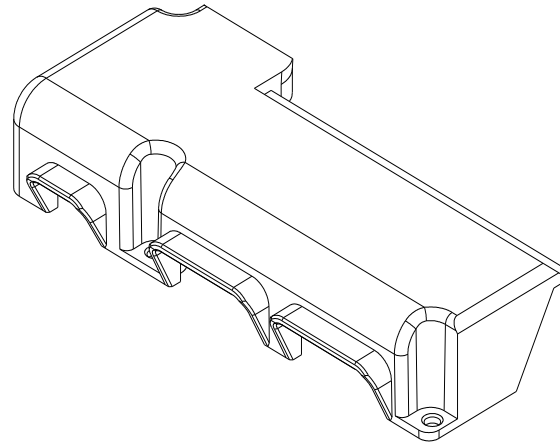
26. MIRROR ASS'Y



Fig&Index NO.	Parts No.	Parts Name	QTY.	Remark
26		MIRROR COMP.	1SET	
26-1	1904228	MIRROR , R	1	
26-2	1902427	MIRROR , L	1	



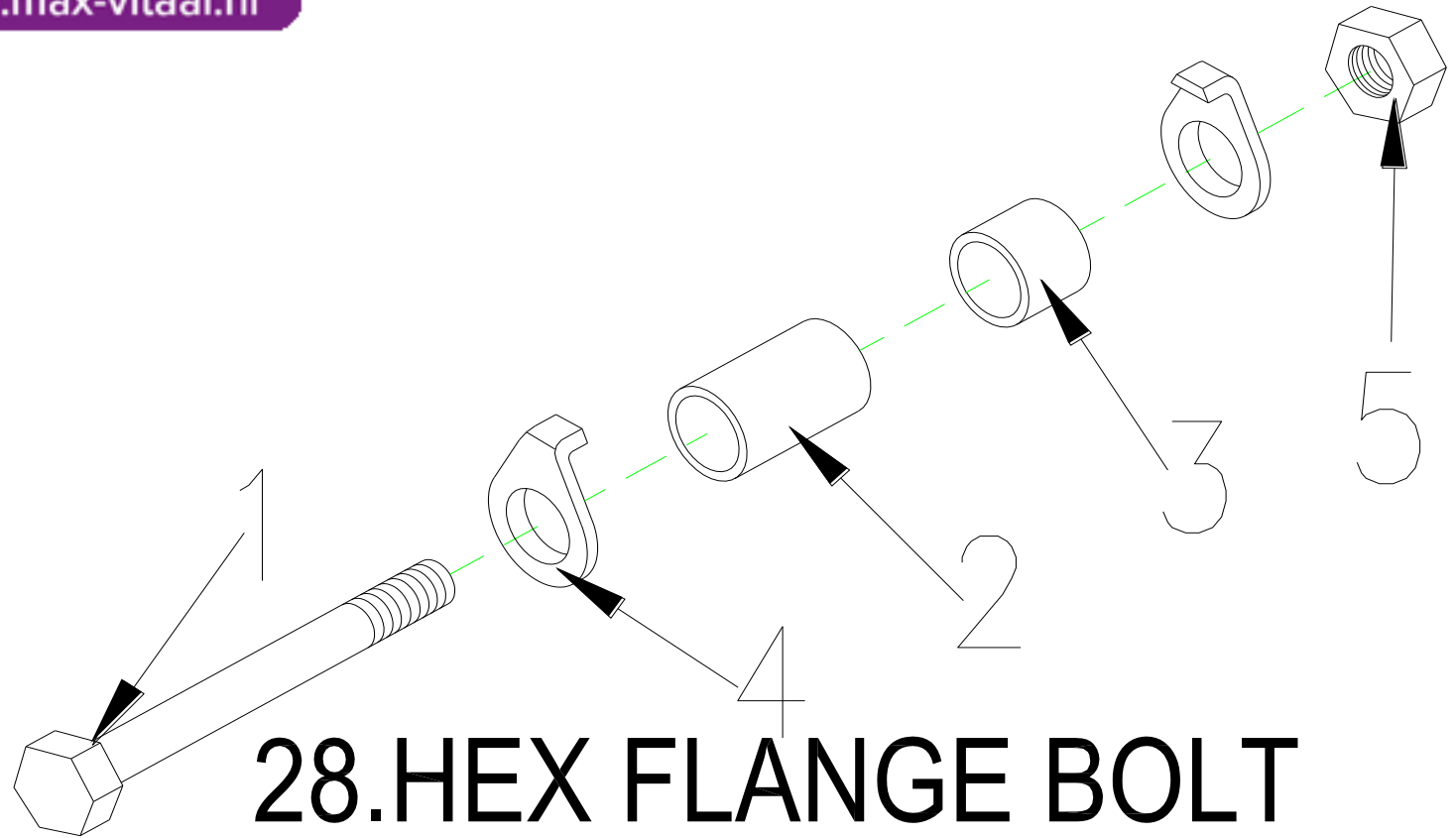
www.max-vitaal.nl



27.COVER , CONTROLER, RHINO 2



Fig&Index NO.	Parts No.	Parts Name	QTY.	Remark
27		COVER CONTROLER, RHINO 2 USE	1	

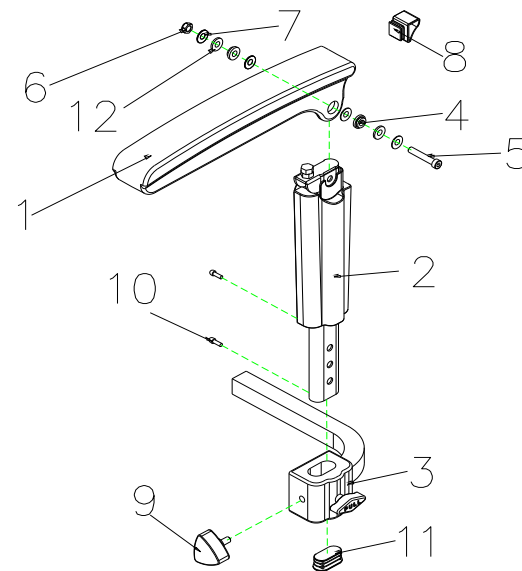




Fig&Index NO.	Parts No.	Parts Name	QTY.	Remark
28	1905741	HEX FLANGE BOLT , M10xP1.5x160L	1SET	
28-1		BOLT , M10xP1.5X160L	1	
28-2		SPACER , Φ 10.5x58L	1	
28-3		SPACER , Φ 10.5x34L	1	
28-4		FRONT FORK WASHER , M10	2	
28-5		NUT , M10	1	



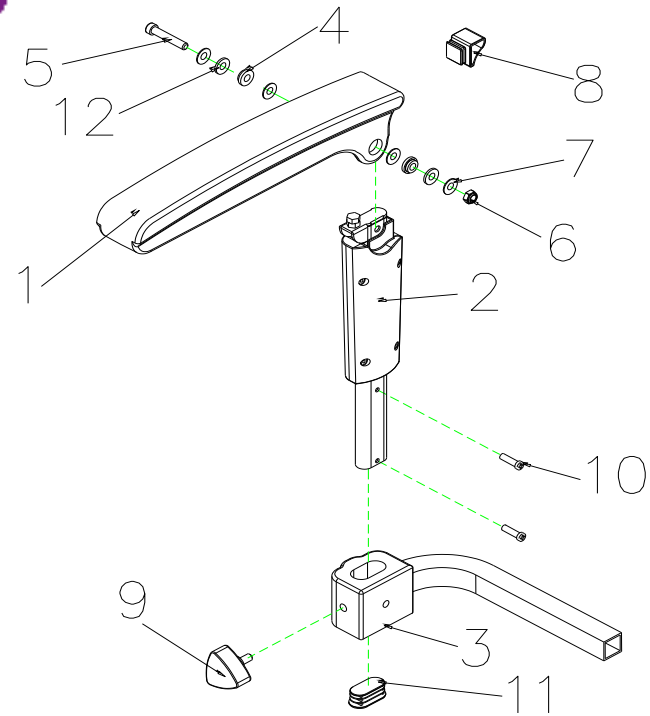
www.max-vitaal.nl



29. ARMREST ASS'Y , L



Fig&Index NO.	Parts No.	Parts Name	QTY.	Remark
29	1904605	ARMREST , ADJUSTABLE , L , W/I COVER	1	
29-1		ARMREST , UPPER	1	
29-2	1904969	ARMREST ,LOWER, L	1	
29-3	1905936	ARMREST ADJUSTMENT BASE	1	
29-4		WASHER , 8mm	4	
29-5	1908423	HEXAGON BOLT , M8x55	1	
29-6		LOCK NUT , M8x1.25	1	
29-7	1908424	WASHER , M8	2	
29-8		PLUG	1	
29-9	1905612	BOLT,W/I KNOB , M8x25	1	
29-10		BOLT , M4X12	2	
29-11		PLUG-OB2040C	1	
29-12		SPACER ψ 8.1X ψ 11X3T	2	



30. ARMREST ASS'Y , R



Fig&Index NO.	Parts No.	Parts Name	QTY.	Remark
30	1904414	ARMREST , ADJUSTABLE , R , W/I COVER	1	
30-1		ARMREST , UPPER	1	
30-2	1904970	ARMREST ,LOWER, R	1	
30-3		LOCK NUT , M8x1.25	1	
30-4		WASHER , 8mm	4	
30-5	1908423	HEXAGON BOLT , M8x55L	1	
30-6	1908424	LOCK NUT , M8x1.25	1	
30-7	1908425	WASHER , M8	2	
30-8		PLUG	1	
30-9	1905612	BOLT,W/I KNOB , M8x25	2	
30-10		BOLT , M4X12	2	
30-11		PLUG-OB2040C	1	
30-12		SPACER ψ 8.1X ψ 11X3T	2	



zorghulpmiddelen

www.max-vitaal.nl



31.BRAKE ASS'Y

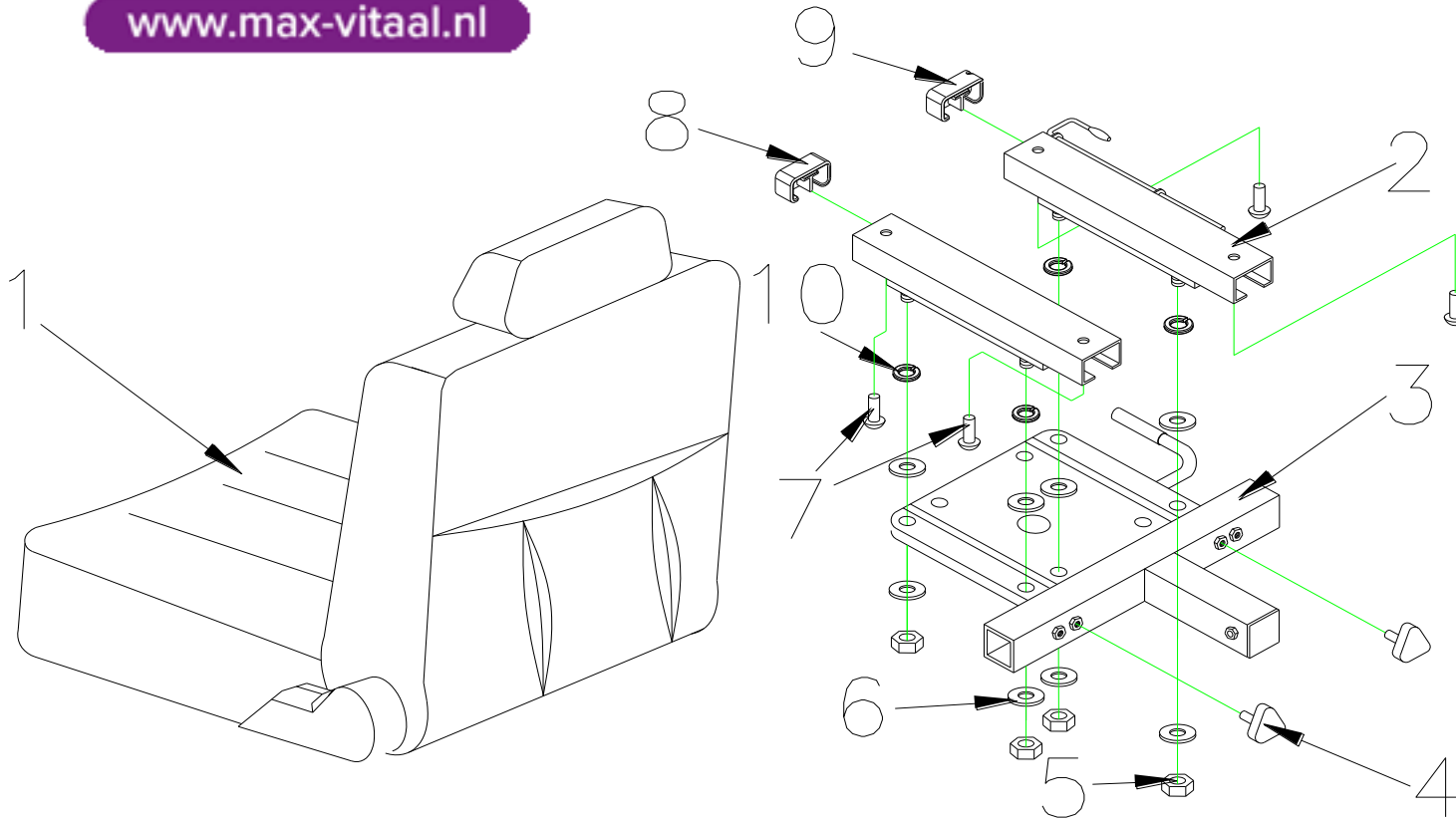


Fig&Index NO.	Parts No.	Parts Name	QTY.	Remark
31	1910783	BRAKE ASS'Y	1SET	
31-1	1906303	LEVER , BRAKE	1	
31-2		PIN , BRAKE	1	
31-3	1905553	COVER BRAKE,REAR	1	
31-4		SPRING , BRAKE	1	
31-5		NUT , BRAKE	1	
31-6	1913023	CABLE , BRAKE	1	
31-7		BOLT , M6x10	4	
31-8		SPRING WASHER , M6	4	
31-9	1903950	HOLDER , BRAKE	1	
31-10		BOLT , M5x20L	2	



zorghulpmiddelen

www.max-vitaal.nl



32.SEAT ASS'Y

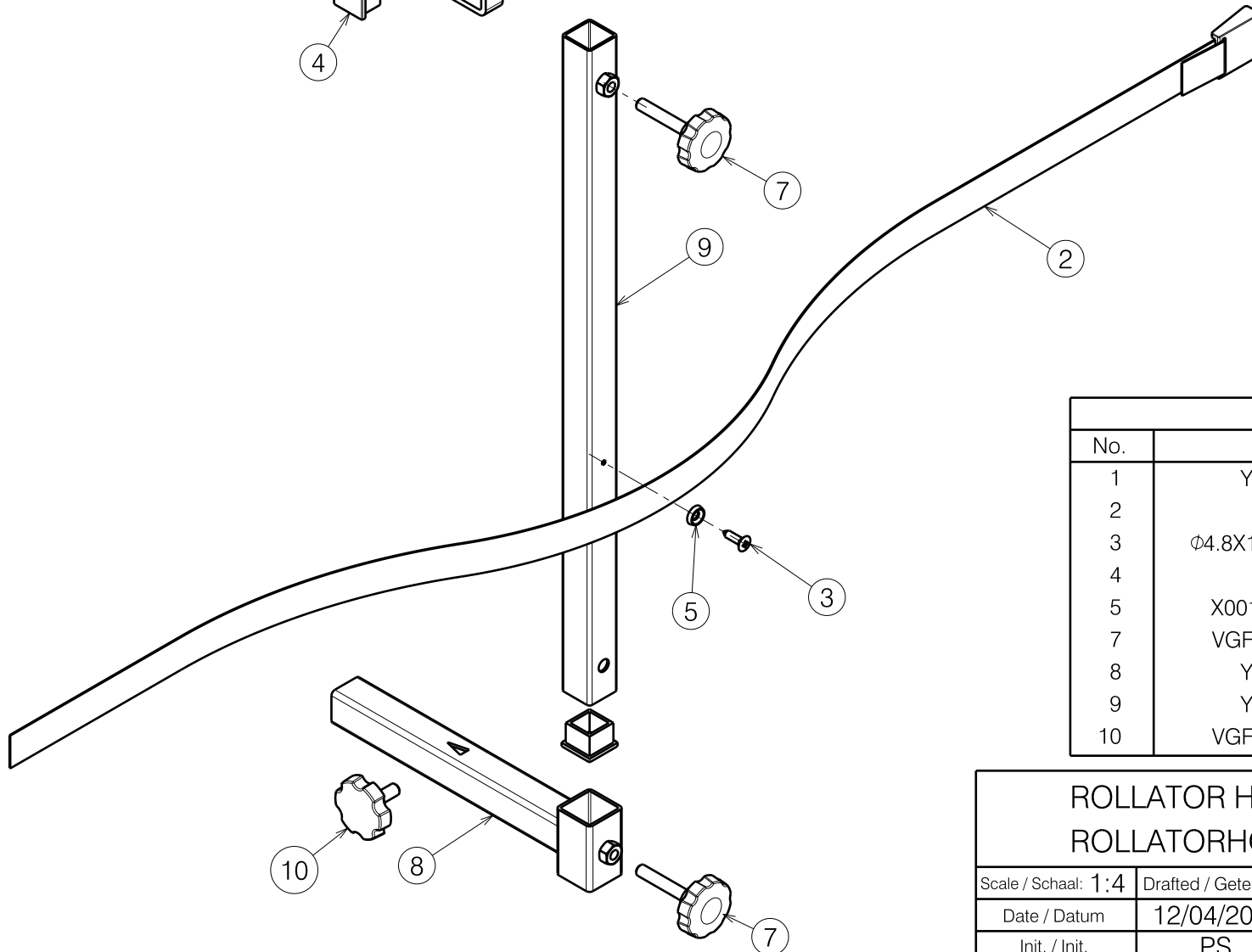
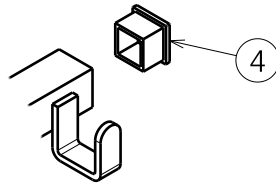


Fig&Index NO.	Parts No.	Parts Name	QTY.	Remark
32	1904565	SEAT ASS'Y , TA-386C3	1SET	
32-1	1905879	SEAT,18X18X18", (TA386C3)	1	
32-2	1907265	SLIDER , 150mm	1SET	
32-3		SEAT PLATE	1	
32-4	1905612	BOLT,W/I KNOB , M8x25	2	
32-5	1905469	LOCK NUT , M8x1.25	4	
32-6	1906451	WASHER , 5/16	8	
32-7	1907567	BOLT , M8x10L	4	
32-8	1907286	PLUG , SLIDER , L	1	
32-9	1907269	PLUG , SLIDER , R	1	
32-10	1907270	SPRING WASHER , M8	4	



Fig&Index NO.	Parts No.	Parts Name	QTY.	Remark
34		ACCESSORIES		
34-2		OWNER'S MANUAL , BE 01	1	
34-3		CARTON , BE 01	1	
34-5	1913856	BASKET	1	



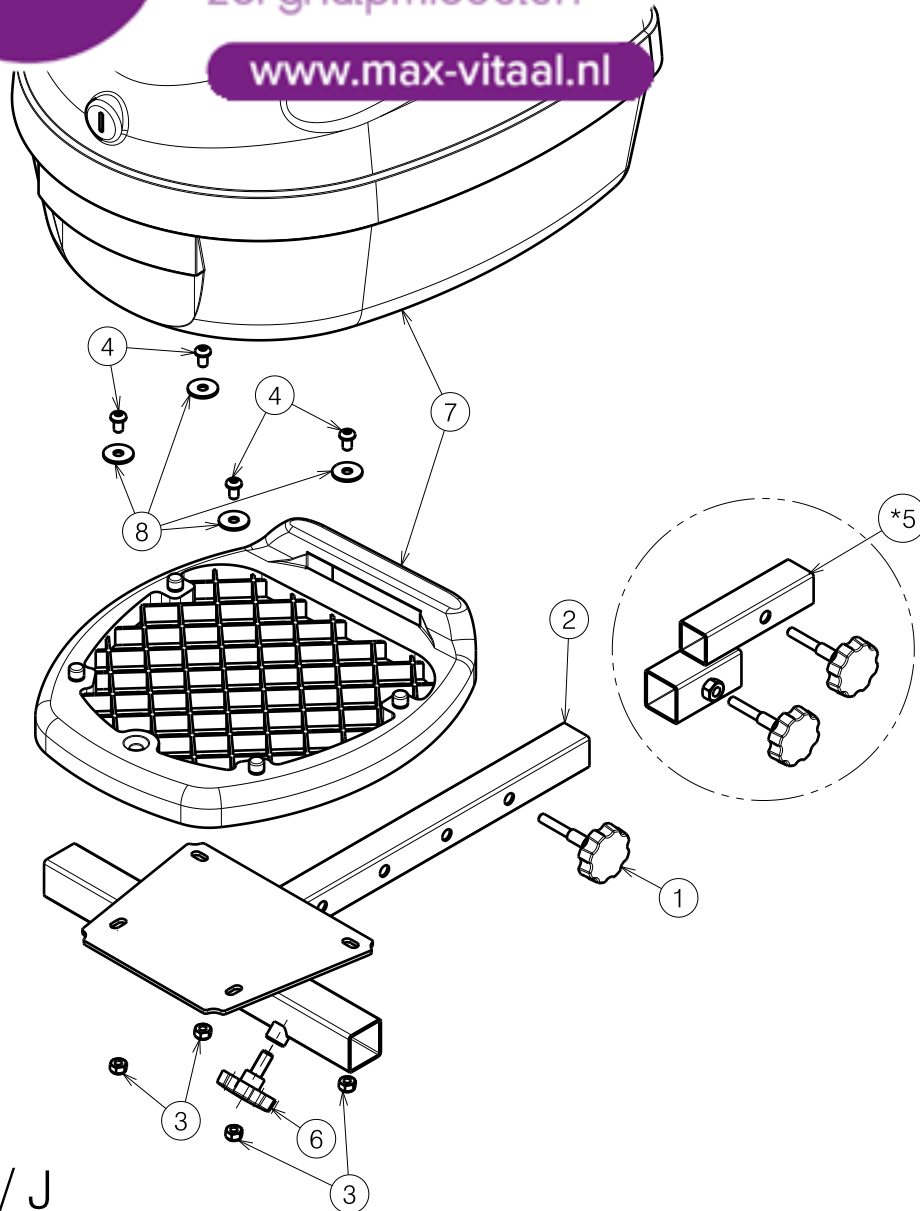


Material			
No.	Plan	Article	Quantity
1	Y008182	1610754	1
2	Belt	1000551	1
3	Ø4.8X19 (DIN7983)	1001534	1
4	25x25	1001617	3
5	X001473 (PA6)	1002994	1
7	VGf 40 M8x45	2990016	2
8	Y023056	2051554	1
9	Y023058	2052254	1
10	VGf 40 M8x16	2990024	1

1904796

ROLLATOR HOLDER SHOPRIDER ROLLATORHOUDER SHOPRIDER			Plan No. / Plannr. E000218/F
Scale / Schaal: 1:4	Drafted / Getekend	Verified / Nagezien	Confirmed / Bevestigd
Date / Datum	12/04/2005	03/05/2019	03/05/2019
Init. / Init.	PS	TT	PJ





E000813 / J

* Adapter Carpo4 Deluxe / Carpo2 / Ceres

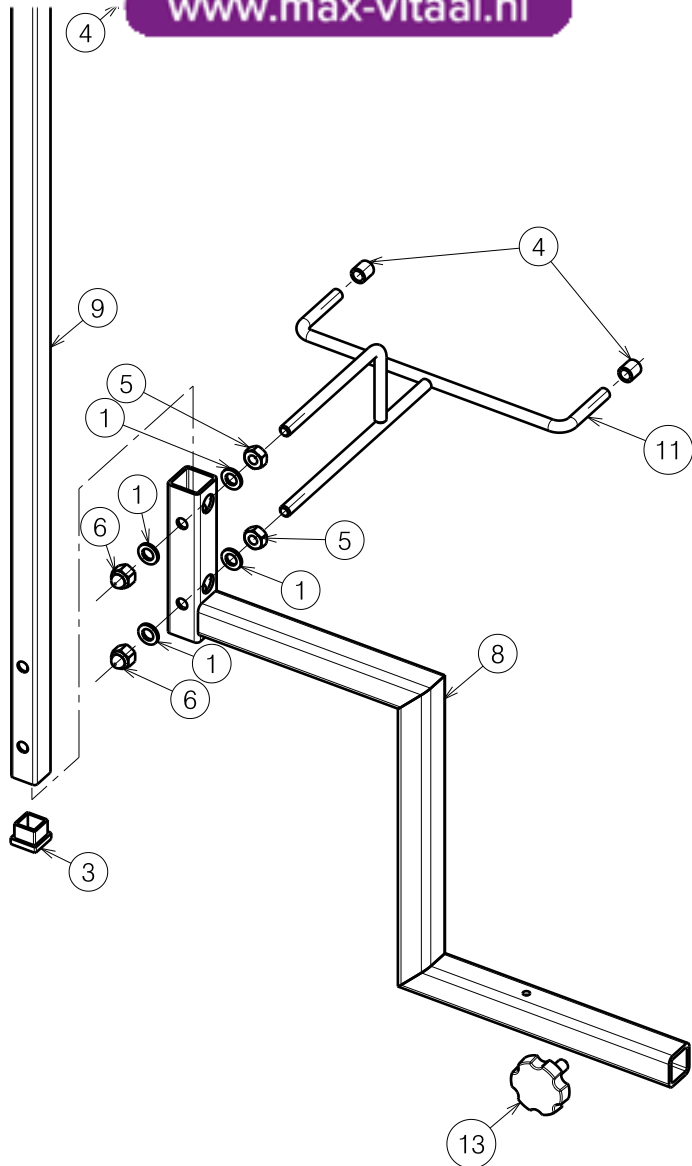
Material			
No.	Plan	Article	Quantity
1	XP00116	2990074	1
2	Y018748	1773854	1
3	---	1001682	4
4	---	1900641	4
*5	E001128	1908396	1
6	---	2990024	1
7	---	W201138	1
8	---	1909451	1

1908395 *

1908152

SW03 TOPCASE FOR SCOOTER SW03 KOFFER VOOR SCOOTER			Plan No. E000813 / J
Scale: 1:5	Drafted	Verified	Confirmed
Date	29/05/2012	06/05/2019	06/05/2019
Initials	TT	TT	PJ





Material			
No.	Plan	Article	Quantity
1	M8 DIN125B	1001556	4
2	M8x20	1001580	1
3	20x20	1001612	1
4	Ø7.8	1001622	6
5	M8 DIN934	1001671	2
6	M8x14	1902024	2
8	Y022385	2042104	1
9	Y021532	2014304	1
10	Y021533	2014004	1
11	Y021537	2014204	1
13	M8x16	2990024	1

1913980

E000996 / F

ROLLATOR HOLDER FOR QUADRI LIGHT

Plan No.

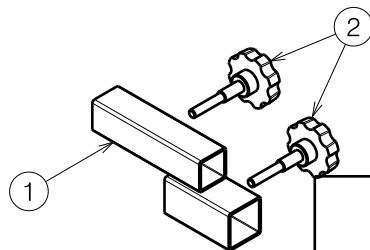
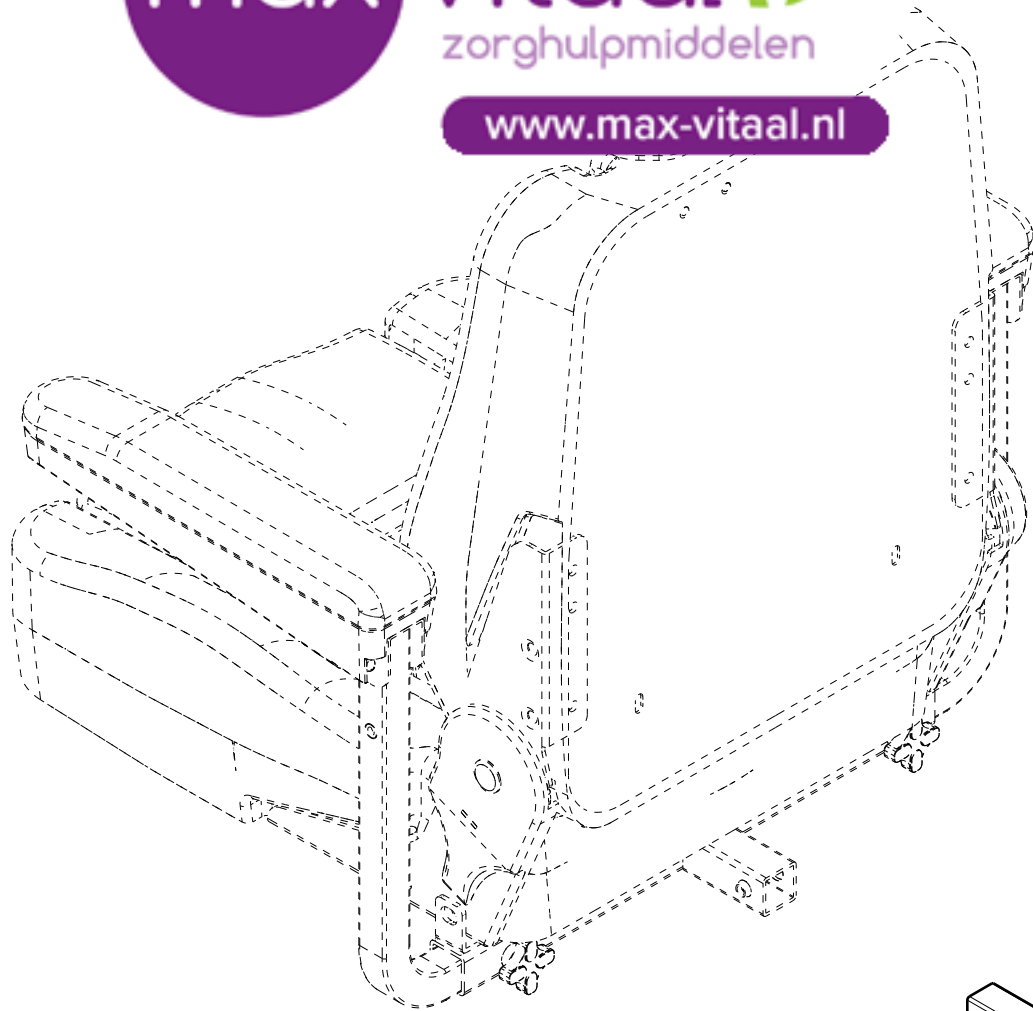
E000996 / F

Scale: 1:5	Drafted	Verified	Confirmed
Date	21/09/2015	06/05/2019	06/05/2019
Initials	TT	TT	PJ





www.max-vitaal.nl



Material			
No.	Plan	Article	Quantity
1	Y018809	1776254	1
2	XP00116 VGF 40 M8x16 L=45	2990074	2

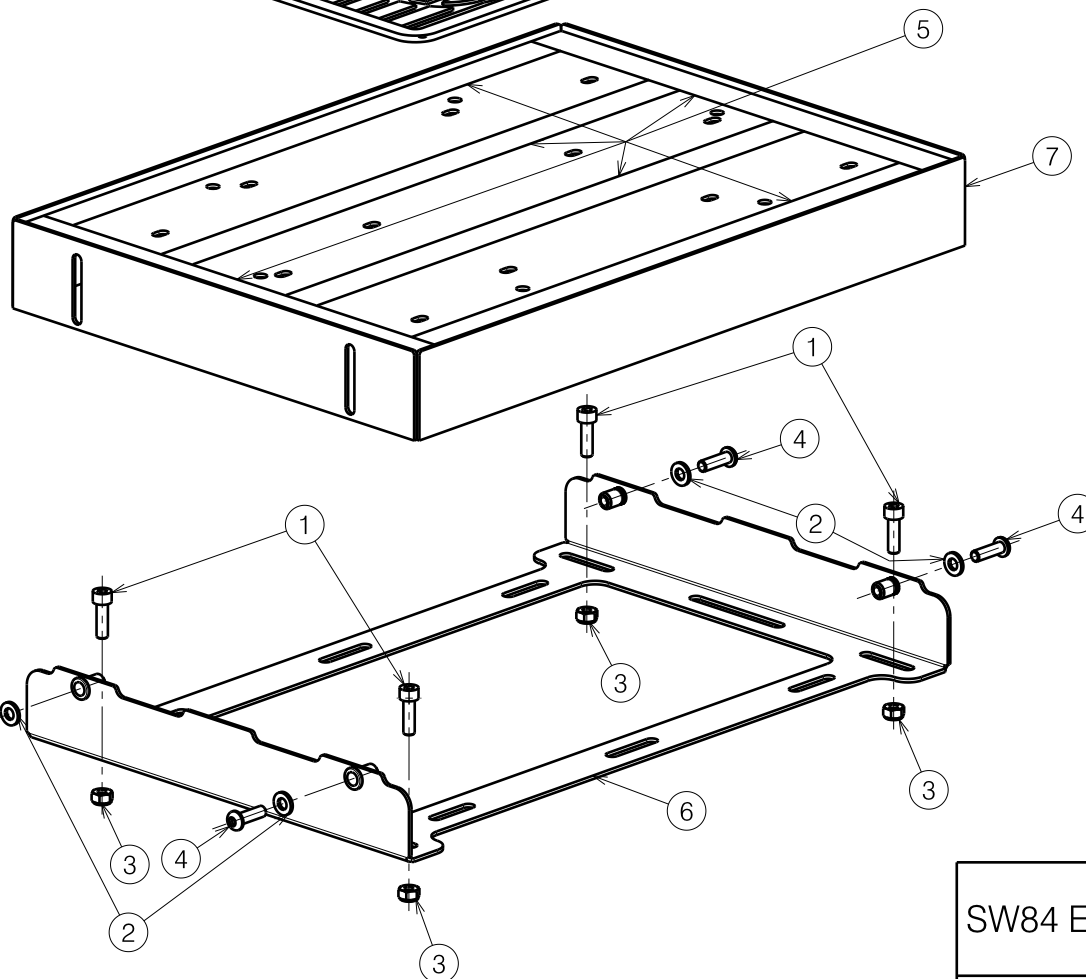
1908396

ADAPTER FOR SW03 CARPO / CERES				Plan No.
				E001128 / A
Scale: 1:5	Drafted	Verified	Confirmed	
Date	03/05/2019	06/05/2019	06/05/2019	
Initials	TT	SD	PJ	

E001128 / A



www.max-vitaal.nl



Material			
No.	Plan	Article	Quantity
1	M6x20 DIN912/8.8	1001493	4
2	M6 DIN125A	1001564	4
3	M6 DIN985	1001680	4
4	M6x20 ISO7380	1006999	4
5	24mm	1904848	2m
6	Y023670	2072854	1
7	Y023674	2072954	1
8	XC00496	3991982	1

Note:

Position of mounting holes, for bolts (item 1) in plastic foot plate, can vary from model to model. Use plate sleeves of frame (item 6) as guides to drill the holes and to avoid drilling through cables or chassis tubes

E001130 / C

SW84 ELEVATED FOOT PLATE CARPO-CERES

Plan No.

E001130 / C

Scale: 1:4

Drafted

Verified

Confirmed

Date

18/06/2019

27/05/2020

27/05/2020

Initials

TT

TT

PJ

